



# HPL+ Compact Filament

## Compact Filament Halogen Lamp

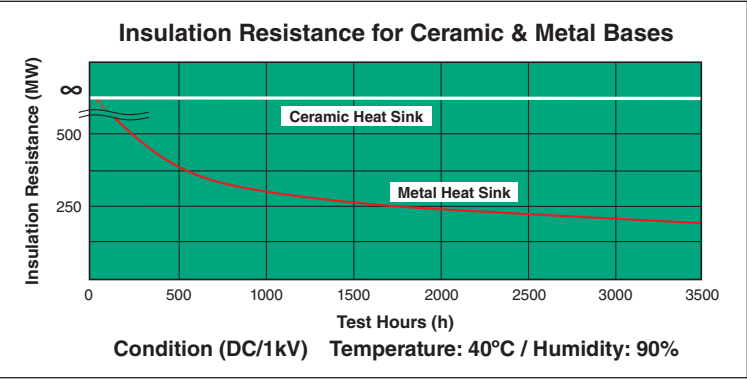
The high performance Ushio HPL+ lamp has been redesigned to be the most powerful HPL ever. It's ultra-compact filament geometry now improves the optical efficiency of your ETC Source Four™ fixtures to produce up to 20% more fixture lumens. That's up to 20% more light from the same fixture as compared to the old lamp design.

Competing HPL lamp products are limited to larger filament dimensions than the Ushio HPL geometry. Working in close cooperation with ETC's engineers, Ushio has matched the "innovation" of the Source Four fixture by making a more compact (6.0mm x 9.5mm) filament profile. This improvement partnered with the optics of the Source Four, generate ultimate axial and radial light distribution and optical system efficiency.

The Source Four's precise optics demand precisely engineered lamps. Ushio has responded to the Source Four's need for a reduced geometry filament, and has done so with quality manufacturing standards. Performance you can measure, quality you can count on, variety of lamp types, and innovative design for your theatrical needs.

### FEATURES & BENEFITS

- Ceramic Heat Sink Base Maintains its Resistance to Electric Conductivity Over the Life of the Lamp
- Unique Compact Four and Six Filament Design for More Efficient Light Collection
- Tapered Pins Ensure Easy Fit Into the Fixture Socket
- Ushio has the Largest Selection of Voltages and Wattages Allowing the User to Choose Between Highest Output or Longer Life



**Source Four™ jr & Source Four™ jr Zoom:**  
rated up to 575W



**Source Four™ & Source Four™ Zoom:**  
rated up to 750W

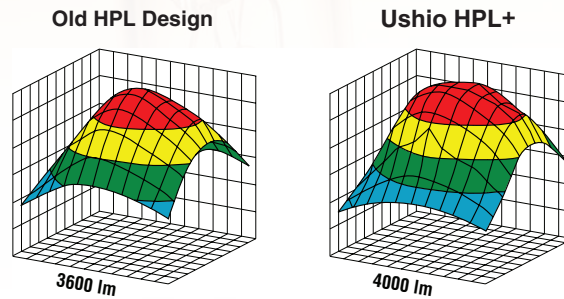
**Source Four™ PAR EA:** rated up to 750W  
**Source Four™ PAR MCM:** rated up to 575W  
**Source Four™ PAR Nel:** rated up to 750W



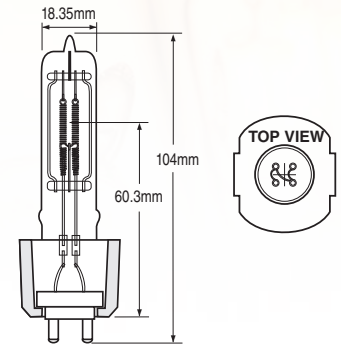
# SPECIFICATIONS

## BENEFITS OF HPL+ LAMPS

- High Efficiency (28.5 Lumens Per Watt Average)
- Increased Fixture Light Output of Up to 20%



Illumination distribution measured with: HPL 750 watt



Case Quantity: 10

Watts (W)	Ordering Code	Lamp Description	Description	Filament Type	Color Temp (K)	Initial Lumens (lm)	Avg Rated Life (h)
<b>77 Volt for Dimmer Doubling</b>							
550	1000668	HPL-550/77V+	JS77V-550WC	4-C8	3250	16170	300
550	1000669	HPL-550/77X+	JS77V-550WX	4-C8	3050	12160	2000
750	1000676	HPL-550/77V	JS77V-750WC	4-C8	3250	22950	300
<b>115 Volt</b>							
375	1000666	HPL-375/115V+	JS115V-375WC	4-C8	3250	10540	300
375	1000667	HPL-375/115X+	JS115V-375WX	4-C8	3050	8000	1000
575	1000670	HPL-575/115V+	JS115V-575WC	4-C8	3250	16520	300
575	1000671	HPL-575/115X+	JS115V-575WX	4-C8	3050	12360	2000
575	1004063	HPL-575/115V/SL	—	6-C8	2950	10500	3000
750	1000675	HPL-750/115V+	JS115V-750WC	4-C8	3250	21900	300
750	1003153	HPL-750/115X+	JS115V-750WX	4-C8	3050	16400	1500
<b>120 Volt</b>							
575	1000672	HPL-575/120V+	JS120V-575WC	4-C8	3250	16520	300
575	1002283	HPL-575/120X+	JS120V-575WX	4-C8	3050	12360	2000
575	1004220	HPL-575/120V/SL	—	6-C8	2950	10500	3000
750	1003144	HPL-750/120V+	JS120V-750WC	4-C8	3250	21900	300
750	1003178	HPL-750/120X+	JS120V-750WX	4-C8	3050	16400	1500
<b>230 Volt</b>							
375	1003182	HPL-375/230X+	JS230V-375WXN	6-C8	3000	7250	1000
575	1000673	HPL-575/230V+	JS230V-575WCN	6-C8	3200	14900	400
575	1002233	HPL-575/230X+	JS230V-575WXN	6-C8	3050	11780	1500
750	1002289	HPL-750/230V+	JS230V-750WCN	6-C8	3200	19750	300
750	1003179	HPL-750/230X+	JS230V-750WXN	6-C8	3050	15600	1500
<b>240 Volt</b>							
375	1003183	HPL-375/240X+	JS240V-375WXN	6-C8	3000	7250	1000
575	1000674	HPL-575/240V+	JS240V-575WCN	6-C8	3200	14900	400
575	1002234	HPL-575/240X+	JS240V-575WXN	6-C8	3050	11780	1500
750	1003184	HPL-750/240V+	JS240V-750WCN	6-C8	3200	19750	300
750	1003180	HPL-750/240X+	JS240V-750WXN	6-C8	3050	15600	1500

All dimensions shown in millimeters unless otherwise noted.

