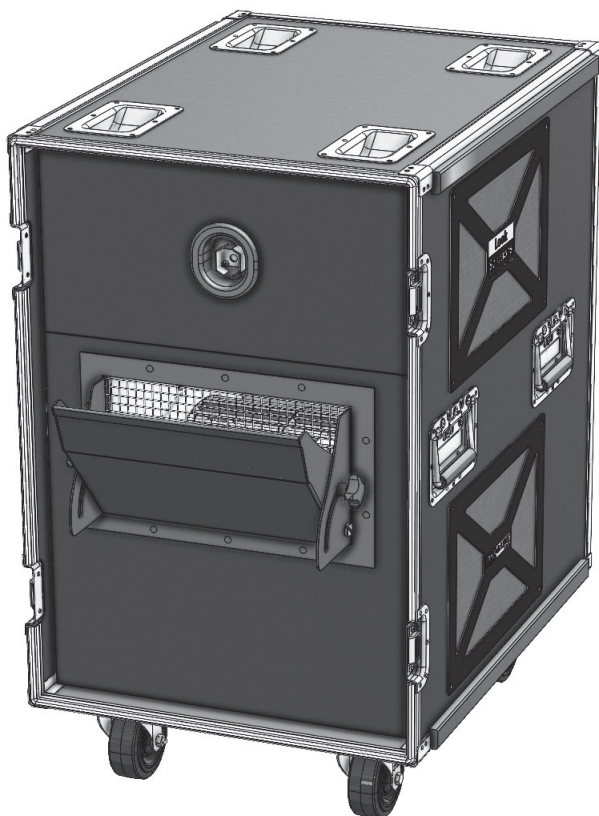


# VIPER DE LUXE



## Set of Equipment supplied

- 1 **Viper 2.6 deLuxe** (3050 W) or **Viper NT deLuxe** (1750 W)
- 1 powerCON TRUE1 TOP cable
- 1 tank lid with quick connector, silicon tube and air valve filter
- 1 Operating manual

Please check whether all the products you ordered are supplied.

Please note: Depending on the installed device, watt and volt specifications will change. **The device cannot be operated from 110 V - 240 V.** The deLuxe is delivered in the 230 V version.

If 110 V operation is planned, a 110 V Viper NT and an appropriate transformer for the fan must be installed. The Viper 2.6 is not suitable for 110 V operation.

# Content

<b>1. Introduction</b>	<b>4</b>
<b>2. Safety instructions</b>	<b>5</b>
<b>3. Description of the parts</b>	<b>6</b>
<b>4. Fluid</b>	<b>8</b>
4.1 General Notes	
4.2 Refilling the fluid container	
<b>5. Operating the Viper deLuxe</b>	<b>9</b>
5.1 Selecting the location	9
5.2 Putting into operation	9
5.3 Switching the device off	10
5.4 Control via DMX 512	10
5.4.1 Adjusting the DMX start address	
5.4.2 RDM	
5.5 Stand alone mode	11
5.6 Wiring of the sockets	11
<b>6. Cleaning, Care and Maintenance</b>	<b>12</b>
<b>7. Troubleshooting</b>	<b>13</b>
<b>8. Specifications</b>	<b>14</b>
<b>9. Warranty Conditions</b>	<b>15</b>

# 1. Introduction

The **Viper deLuxe** is the touring version of the Viper 2.6 resp. Viper NT.

Built into a robust flight case with a powerful fan, the **Viper deLuxe** is ready for any use. New features make it even easier to use - placing and fogging without wasting a lot of time setting and preparing.

The new 20L flat tank can be filled conveniently and easily, guaranteeing a longer operating time.

The castor dishes allow for easy and safe stacking and stowing of the equipment.

The performance of the machine allows applications from small clubs to large halls, festivals and events, as well as use for airflow or leak testing in large buildings.

The intended use of the device is to create artificial fog.

## 2. Safety instructions

### A fog machine is not a toy!

- Very hot steam escapes from the nozzle. Danger of getting burnt.
- Occasionally very hot droplets of fluid may escape when in operation. Thus never aim at persons directly and keep a minimum distance of 3 m to the nozzle.
- Never touch the nozzle when in operation. Danger of getting burnt.
- The location for the machine must be non-flammable, non-combustible and not sensitive to heat. It has to be twice as big as the machine.
- Keep a minimum distance of 60 cm to all flammable, combustible objects and objects sensitive to heat.
- Glycol is alcohol and burns with a slightly bluish, almost invisible flame. Never point the fog at strong sources of ignition like fire or pyrotechnic effects.
- Never open the machine and leave the machine unattended when connected to a power supply.
- It is only allowed to fly/hang the machine by using the original hanging set.
- The visibility has to be more than 2 m in rooms where people walk around.
- Do not swallow the fog fluid. Keep it away from children. In case of eye contact, rinse with a lot of water. Consult a doctor should you have accidentally swallowed some fluid.
- Spilled fluid or splashed fluid droplets can cause slip hazard. Mop up the fluid and dispose of it according to regulations.
- Fog may activate smoke detectors.

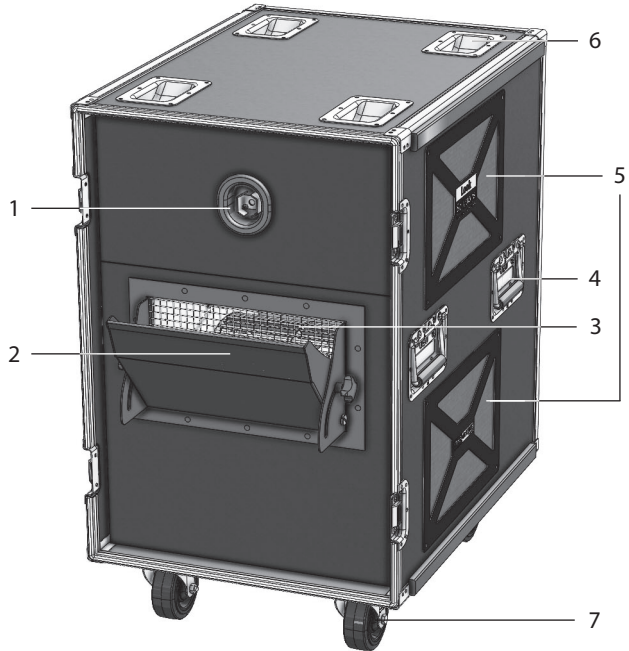
Artificially-made fog can be produced in many different ways. The method used here to produce fog, with a device which works according to the vaporizer principle, is the most harmless one.

No case has so far been reported in which a sound human being has been harmed because of using our device to produce artificial fog. However, this can only be guaranteed if the professional fog generators are used accordingly, i.e. at the correct vaporization temperatures as well as with the correctly mixed fog fluid.

We, however, recommend: **People with health problems or problems of the respiratory tract or with an inclination for allergies should avoid any contact with artificially-made fog.**

### 3. Description of the parts

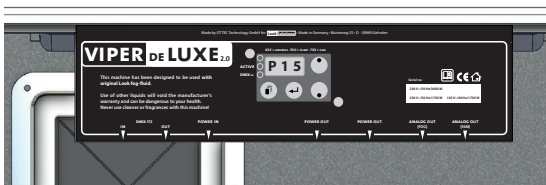
#### Front view



- 1: Fog nozzle
- 2: Diverter
- 3: Fan grille and fan
- 4: Carrying handles
- 5: Filter
- 6: Castor dishes
- 7: Automatic wheels

#### Rear view

#### Control-Box

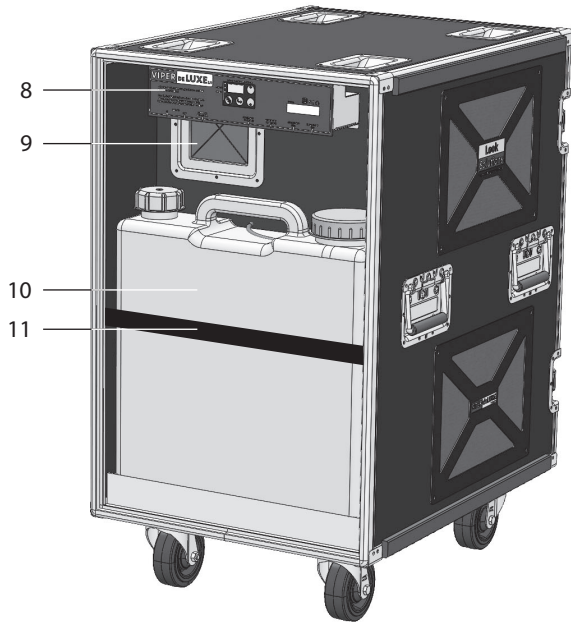


#### Connectors from left to right:

- **DMX in (5pin)**
- **DMX out (5pin)**
- **Power in:** Connector for powerCON TRUE1 TOP-cable
- **Power out:** 1x for fog machine and 1x for fan (already connected when supplied)
- **Analog out (Fog):** Fog machine (already connected when supplied)
- **Analog out (Fan):** Fan (already connected when supplied)

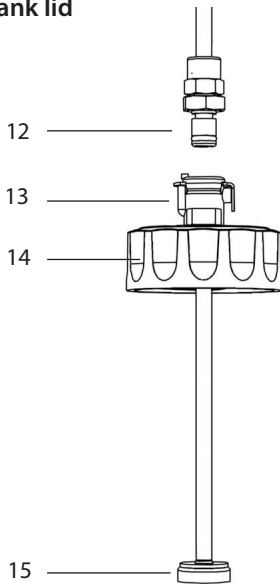
### 3. Description of the parts

#### Rear view



- 8: Control-Box
- 9: Cable outlet
- 10: 20L-Fluid tank
- 11: Velcro tape to secure the tank

#### Tank lid



- 12: Plastic spigot
- 13: Quick coupling
- 14: Tank lid
- 15: Filter

## 4. Fluid

### 4.1 General notes

The **Viper deLuxe** has been designed to be used with original Look fog fluids.

The following Look fog fluids are available:

Quick-Fog	thick, quick disappearing fog fluid
Regular-Fog	thick, long lasting fog fluid
Slow-Fog	thick, extremely long lasting fog fluid

If fluids have been used other than Look fog fluids we can't grant warranty.

**PLEASE NOTE:** The vaporizer of our machines does not have to be cleaned! Cleaners, available on the market, can damage the vaporizer! We cannot grant warranty in this case.

### 4.2 Refilling the fluid tank

Before refilling the fluid canister, make sure that there are no impurities inside the tank. If necessary, the canister must be rinsed out. This will prevent clogging of the heater.

- Disconnect the tank lid by pressing the springs in the finger recesses inwards and lift out the cover.
- Disconnect the fluid tube from the lid by pressing the quick coupling [13] and removing the plastic spigot [12].
- Loosen the Velcro and tilt the canister about 45 degrees.
- To refill, unscrew the large blue cap from the canister and fill the tank with fluid.
- Tilt the canister back in an upright position and tighten it with the Velcro strap.
- Push the plastic spigot [12] into the quick coupling [13], until you hear a click. The spigot is now locked firmly.



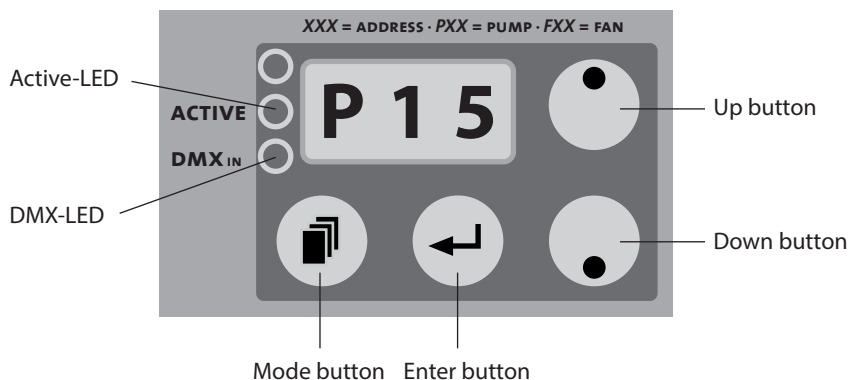
## 5. Operating the Viper deLuxe

### 5.1 Selecting the location

The location in which the **Viper deLuxe** is operated should

- be dry,
- be free from dusty or polluted air,
- be free from vibrations,
- be an non-flammable place or surface,
- be well-ventilated with fog-free air keeping the ambient operating temperature between 5° C and 45° C and the relative air humidity below 80%.

### 5.2 Putting into operation



Please note: The Mode button is not suitable for „scrolling“ through the menu. It must be pressed briefly one at a time.

Remove the front case cover. The rear cover can remain on the case. Simply release the upper part by pressing the springs in the finger recesses inward and folding the cover down.

The control box can then be operated without any problems. The connections for the fog generator and fan are already connected to the control box.

- Connect the supplied powerCON TRUE1 TOP cable to the „Power in“ connector on the operating box and insert the mains plug into an earthed socket. Make sure that the correct operating voltage (230 V/50 Hz) is available.

In the display of the control box appears either the last stored DMX address (if the device is connected via DMX) or a P and two numbers (see figure above).

## 5. Operating the Viper deLuxe

- b. After a heating time of approx. seven minutes (Viper NT) or approx. 12 minutes (Viper 2.6), the device is ready for operation.
- c. Press the Mode button until a P and two figures appear in the display. Set the desired pump value using the Up/Down buttons.
- d. Press the Mode button until an F and two figures appear in the display. Set the desired fan value here.
- e. Press the Enter button to start the unit. The green „Active“ LED lights up.

### 5.3 Switching the device off

- a. Press the Mode button until „OFF“ appears on the display. After 15 seconds the machine will switch off automatically. On the right bottom edge of the display a red dot will appear, indicating that the machine is not heating anymore.  
You can also switch off the machine within these 15 seconds by pressing the Enter button.



- b. If the DMX signal is lost, the device will be switched off automatically after 15 seconds for safety reasons.

### 5.4 Operating via DMX 512

Connect the **Viper deLuxe** to a DMX-desk using the 5pin-XLR socket „DMXin“ of the control box. As soon as the machine receives a correct DMX signal, the yellow DMX-LED shines. Now the pump and the fan can be adjusted via the lighting console.

**Please note:**

The **Viper deLuxe** uses two channels at the desk! **Channel 1 = Pump, Channel 2 = Fan.**

#### 5.4.1 Adjusting the DMX start address

- a) Press the Mode button on the control panel, until three figures appear on the LED display.
- b) Adjust the requested start address by pressing the Up/Down buttons.

## 5. Operating the Viper deLuxe

- c) Save the start address by pressing the Enter button once. Otherwise the start address will not be saved when you disconnect the machine from the mains supply.

Adjust the pump and fan via the desk.

If you switch off the console, the **Viper deLuxe** is automatically switched off after 15 seconds.

### 5.4.2 RDM

The following functions are possible via RDM:

- DMX-Patch: set/change/check the DMX start address and display DMX channels
- Restart the device
- General Information about the machine

## 5.5 Stand alone

The **Viper deLuxe** can be used in the Stand alone mode. In this mode the control of the pump and the fan must be adjusted at the machine.

- a) Press and release the Mode button until a „P” and two figures appear on the display.
- b) Adjust the pump output with the Up/Down buttons and press the Enter button once to start the fogging process.  
The machine now produces fog until the Enter-button is pressed again.  
The output can be changed during the fogging process by pressing the Up/Down buttons.

To adjust the fan output

- a) press the Mode button again, until a „F” and two figures appear on the display.
- b) Adjust the fan output with the Up/Down buttons.

Press the Enter button once to start the fan and fogging process.

## 5.6 Wiring of the connectors

**5pin XLR (DMX):**

Pin 1 = Ground, Pin 2 = DMX -, Pin 3 = DMX +

## 6. Cleaning, Care and Maintenance

- Make sure that the filters are not clogged with dust. If necessary, the filters must be cleaned.
- Take care that the machine is not overheating.
- Do not run the **Viper deLuxe** without any fluid, as the pump will run dry.
- Wipe up spilled Fluid immediately. Moisture – also fluid – can destroy the electric of the machine.
- Before refilling the fluid canister, make sure that there are no impurities inside the tank. If necessary, the canister must be rinsed out. This will prevent clogging the heater.
- For cleaning the surface of the device use a suitable, solvent-free cleaner.
- **PLEASE NOTE:** The vaporizer of our machines does not have to be cleaned! Cleaners, available on the market, can damage the vaporizer! We cannot grant warranty in this case.

## 7. Troubleshooting

The fog machine **does not fog**

- Check external control signals
- Check mains supply
- Check fluid tank (empty?)
- Check for correct connections at the fluid bottle
- Check for fluid in the fluid tube
- Check if the tank lid is clogged
- Disconnect the filter mat on the right side of the machine and check through the grille, whether the display shows a malfunction code (f.e. E - 1). If yes, please contact your dealer for further information.

The fog machine **fogs uncontrollably**

- Check mains supply
- Check unit for moisture (moisture inside the machine, especially on the PCB can cause fogging)

The fog machine **switches off suddenly**

- The „Temperature cutout“ has switched off due to overheating.  
Remove external heat source (for instance lamps shining right onto the housing) and ensure fresh air supply. After 15 to 30 minutes the unit should switch back to „on“ again.

**Loud droning sound** during fogging

- The pump is running dry. Avoid this absolutely!
- Refill the fluid bottle
- Double check connection fluid tube and fluid bottle.

## 8. Specifications

### Fog generator

Procedure:	vaporizing fog generator
Power requirement:	<u>Viper NT</u> : 1300 Watt <u>Viper 2.6</u> : 2600 Watt
Voltage:	230 V/ 50 Hz
Heat-up time:	<u>Viper NT</u> : approx. 7 min. <u>Viper 2.6</u> : approx. 12 min.
Fluid tank capacity:	20 Litres
Fluid consumption:	<u>Viper NT</u> : 120 ml/min. at max. output 35 ml/min. at continuous output <u>Viper 2.6</u> : 240 ml/min. a max. output 70 ml/min. at continuous output
Fog output:	adjustable in 99 steps, steps à 1%
Output projection:	max. 15 m
Fogging time:	at 100% output: approx. 40 sec. at <50% output: continuous output
Control:	DMX 512 Stand alone mode
Temperature control:	Microprocessor controlled
Overheating protection:	Heater block/Thermostat Pump/Thermal switch

### Fan

Procedure:	Centrifugal blower
Power requirement:	450 Watt
Voltage:	230 V/ 50/60 Hz
Air volume:	1605 m <sup>3</sup> /h
Current:	2.8 A
Dimensions incl. flight case (L x W x H):	77 x 49.5 x 83.5 cm
Weight incl. flight case and fluid tank:	<u>Viper NT</u> : approx. 65 kg (incl. filled tank = 87 kg) <u>Viper 2.6</u> : approx. 67 kg (incl. filled tank = 89 kg)

Manufactured in Germany for:

**Look Solutions GmbH & Co. KG** • Bünteweg 33 • D - 30989 Gehrden • [www.looksolutions.com](http://www.looksolutions.com)

## 9. Warranty conditions

For the fog machine **Viper deLuxe** Look' guarantee is:

1. Free of charge, subject to the following conditions (No. 2 - 6) we will repair any defect or fault in the unit if it is caused by a proven factory fault and has been advised immediately after appearance and within 24 month of delivery to the end user. Insignificant deviations of the regular production quality does not guarantee replacement rights, nor do faults or defects caused by water, wrong fog fluid, by generally abnormal environment conditions or Force Majeure.
2. Guarantee Service will be done in the following way: Faulty parts will be repaired or replaced (our choice) with correct parts. Faulty units have to be brought to us or our service centres or to be sent to us or our service centres at customer's expense. The invoice and/or receipt showing the purchase date and the serial number has to come with the faulty unit, otherwise this will not be guarantee service. Replaced parts become our property.
3. The customer loses all rights for guarantee services, if any repairs or adjustments are done to the units by unauthorized persons and/or if spare parts are used which are not approved by us. The right of guarantee service is also lost if fluids other than original Look fog fluids have been used or if units are sent to us with full fluid bottles. Also non compliance with the instructions in this manual or mistakes by incorrect handling/treating of the machine will lead to a loss of guarantee and also any faults and damages caused by undue force.
4. Certain parts of the machine are „consumable parts“ and are not covered by the warranty.
5. Guarantee services do not cause an extension of the guarantee time or the start of a new guarantee time. The warranty for replaced parts ends with the guarantee time of the whole unit.
6. If a defect/fault can not be repaired by us in a satisfactory time, we will, within 6 months after sale of the unit, on choice of the customer, either:
  - replace the whole unit for free or
  - refund the lesser value or
  - take back the whole unit and refund the purchase price, but not more than the usual market price at the time of the refund.
7. Further claims, especially for damages, losses etc. outside the unit are excluded.

Other guarantee regulations may be valid outside Germany. Please check with your dealer!

If you should send the unit for service, do not forget to remove any liquid from the fluid bottle.

