





Beijing based FXlion Electronic Co., Ltd. is a manufacturer of professional lithium ion batteries and chargers for LED lights and professional cameras for the broadcast industry.












Established in 1997, our operation and management team now has over 20 years experience in manufacturing lithium-ion batteries for the broadcast industry. Our Research and Development team guarantees high quality and service throughout our line and proudly delivers strict quality control on its products with approvals such as ISO9001:2015 and CE, TUV, KC, BIS certification.

FXlion Battery has been a leader for years in P.R. China in its broadcast domestic market with good reputation throughout filmmakers and videographers. In addition, filmmakers and videographers are using our batteries and chargers in Europe, USA and Asia markets with great success.

We have an extensive line of products ranging from lithium-ion batteries, chargers, high power lithium battery packs and customized products for video equipment. And now, with the growing use of LED lighting in the broadcast and photography industries, FXlion has developed lithium-ion battery solutions to work ideally for these applications, including professional cameras.

Table Of Contents

Legend

-     Voltage
-  V-Mount
-  Gold-Mount
-  DC-Plug
-  USB Plug
-  USB-C Plug
-  D-Tap
-  powered XLR Output

V-Mount / Gold-Mount / Camcorder Batteries

Wireless Nano Battery	1
Nano Accessory	3
Atto One	6
Nano Hub	8
Portable Power Station	10
Brick Battery	11
B-mount Battery	13
Bi-Voltage Battery	15
High Power Square Battery	17
Smart Square Battery	19
High Power Battery	21
UPS- Intelligent Battery	22
Cool Black Battery	23
26V Battery	25

Battery Chargers

Ultra Fast Charger	27
Fast Smart charger	28
Fast charger	29
Wall Charger	30
Mini Charger	32
D-Tap charger	33

Power Solutions

Skypower Power Solution	34
48V Mini Skypower Power Solution	36
Skypower Kit	37
Sky one	38
Sky Three	40
Sky Two	41
Mega Battery	42
DV Battery and Charger	46

Plate/ Cable / Accessories

V-Mount/Gold-Mount	50
--------------------	----

Information Charts

Cable	52
Cable / Accessory	53
Charging Time Chart	55

WIRELESS NANO BATTERY

Wireless NANO Battery

LCD display

LCD display indicates:

- Battery Voltage
- Capacity Indicator
- USB / USB-C Voltage
- Wireless Charge Output Power

Plugs

- D-Tap In/Output
- V-Mount Plate



Push Button

lights display up and indicates capacity with 4 LED's

- USB-A Output
- USB-C In/Output
- Wireless Charge Output



Wireless Charge



USB-A/USB-C Port



2*D-Tap In/Output port



Wireless NANO V-Mount Battery

- Ultra mini size;
- With LCD screen, showing battery voltage, capacity, USB output/input voltage, wireless charging Watts;
- It can not only charge mobile phones, laptops, but also power for lights and cameras, suitable for lots of application scenarios;
- Battery output 8A(Max), adapts to more high power devices;
- 60W USB-C can output/input fast charging
- 15W Wireless charging can charge the phones with wireless charging function;
- Rechargeable Li-ion battery, no memory effect;
- Intelligent control protection: over-heat, over-charge, over-discharge and over-current protection;
- With D-Tap and USB output protection rubber cap.
- 4-level blue LED indicators;
- Compatible devices: professional cameras, monitors and LED lights/camera which power by USB-C/camera stabilizer/phone stabilizer/Follow Focus /phones /laptops etc.

WIRELESS NANO BATTERY



NANO ONE

Capacity:	14.8V 3.4Ah 50Wh
Current:	8A(Max)
D-Tap Output:	10~16.8V/8A(Max)
USB-A Output:	5V/2.4A 9V/2A 12V/1.5A
USB-C Input/Output:	5V/3A 9V/3A 12V/3A 15V/3A 20V/3A 60W(Max)
Micro USB Input:	5V/3A 9V/2A 12V/1.5A
Wireless Charging Output:	15W(Max)
Dimension:	101(L)mm×72(W)mm×39(H)mm
Weight:	330g



NANO TWO

Capacity:	14.4V 6.8Ah 98Wh
Current:	10A(Max)
D-Tap Output*2:	10~16.8V/10A(Max)
USB-A Output:	5V/2.4A 9V/2A 12V/1.5A
USB-C Input/Output:	5V/3A 9V/3A 12V/3A 15V/3A 20V/3A 60W(Max)
Wireless Charging Output:	15W(Max)
Dimension:	103(L)mm×74(W)mm×59(H)mm
Weight:	540g



NANO THREE

Capacity:	14.8V 10.2Ah 150Wh
Current:	12A(Max)
D-Tap Output*2:	10~16.8V/12A(Max)
USB-A Output:	5V/2.4A 9V/2A 12V/1.5A
USB-C Input/Output:	5V/3A 9V/3A 12V/3A 15V/3A 20V/3A 60W(Max)
Wireless Charging Output:	15W(Max)
Dimension:	103(L)mm×74(W)mm×77(H)mm
Weight:	780g



NANO Accessories



NANOL01

Features: Clamp on backside, Can be attached to 19-22mm rods, D-Tap Output
 Dimension: 88.5(L)mm*71(W)mm*61(H)mm
 Weight: 133g



NANOL02

Features: Hook on backside for attaching to a belt or similar, D-Tap Output
 Dimension: 88.5(L)mm*62(W)mm*35(H)mm
 Weight: 110g



NANOL03/NANOAL03

Features: V-Lock Plate for mounting on camera rig, can be mounted on 1/4" Threads, D-Tap Output
 Dimension: 102(L)mm*82(W)mm*28(H)mm
 102(L)mm*82(W)mm*28(H)mm
 Weight: 136g/136g



NANOL04

Features: V-Lock Plate w/ U-Type clip
 Can be attached to 10-35mm rods, D-Tap Output
 Dimension: 88.5(L)mm*80(W)mm*81(H)mm
 Weight: 257g



NANOL2S/NANOAL2S

Features: use two NANO batteries, get double capacity, discharging at the same time
 3 D-Tap output: 10-16.8V
 Dimension: 141(L)mm*89(W)mm*42(H)mm
 141(L)mm*89(W)mm*42(H)mm
 Weight: 257g/257g



NANOL2S-C/NANOAL2S-C

Feature: use two NANO batteries, first battery discharges, then the other (Hot-Swap)
 3 D-Tap output: 10-16.8V
 Dimension: 141(L)mm*89(W)mm*42(H)mm
 141(L)mm*89(W)mm*42(H)mm
 Weight: 274g/274g



NANO ACCESSORY



NANOLNP-C

Features: SONY NPF to NANO V-lock battery Converter Plate
 NPF Output: 7.4V
 D-Tap Output: 10-16.8V
 Dimension: 88.5(L)mm*62(W)mm*46(H)mm
 Weight: 141g



NANOLNP

Features: SONY NPF to NANO V-lock battery Converter Plate
 NPF Output: 10-16.8V
 D-Tap Output: 10-16.8V
 Dimension: 88.5(L)mm*62(W)mm*46(H)mm
 Weight: 123g



NANOL15R/NANOAL15R

Features: Mini V-Lock plate with 15mm rod
 Two kinds of installation mode,
 One angle can be adjusted, one angle fixed, D-Tap Output
 Dimension: 112.5(L)mm*106(W)mm*64.5(H)mm
 112.5(L)mm*106(W)mm*64.5(H)mm
 Weight: 201g/201g



NANOP1

Features: small V-Lock Plate with D-Tap Output
 Dimension: 88.5(L)mm*62(W)mm*23(H)mm
 Weight: 54g



FX-V01MCL

Features: Mini V-Lock Plate for mounting onto a cage or anything else
 Dimension: 87.5(L)mm*53(W)mm*16.5(H)mm
 Weight: 58g



NANO ACCESSORY



NANOCA01

Features: V-mount convert DC connection to power camera, fit for Canon EOS C300mk III / C500mk II camera

DC output: 14.8V
 D-Tap output: 14.8V*3
 DC cable length: 140mm
 Dimension: 88.5(L)mm*62(W)mm*38.5(H)mm
 Weight: 175g



NANOKMD

Features: Convert Canon DV battery to mini V-mount battery, fit for RED KOMO DO camera

Output: 8.4V*2
 D-Tap output: 14.8V
 Dimension: 88.5(L)mm*71(W)mm*38(H)mm
 weight: 159g



NANOFX9

Features: V-mount convert DC connection to power camera, fit for SONY PXW-FX9 Camera

DC output: 19.5V/3.08A
 D-Tap output: 14.8V
 DC cable length: 200mm
 Dimension: 102(L)mm*66(W)mm*92(H)mm
 Weight: 253g



NANOFX6

Features: V-mount convert DC connection to power camera, fit for SONY ILME-FX6 Camera

DC output: 19.5V/3.08A
 D-Tap output: 14.8V
 DC cable length: 200mm
 Dimension: 108(L)mm*80(W)mm*103(H)mm
 weight: 287g



FX-NANO4S / FX-NANO4A- NANO 4-Channel Charger

Input: 100-240V 47-63Hz
 Output: 16.8V / 2.0A (CH 1+2 / CH 3+4)
 16.8/1A*4
 Power Draw: 80W
 Features: Four NANO batteries simultaneous charging
 Dimension: 160(L)mm*93(W)mm*124(H)mm
 160(L)mm*93(W)mm*124(H)mm
 Weight: 743g/743g



ATTO ONE

ATTO ONE Battery

Button

- Shows Battery capacity with 4 Level indicator

In the Box

- ATTO ONE
- Stud bolt R14
- Sling

1/4 Thread

- Two 1/4 Thread

- USB-A Output
- USB-C In/Output
- D-Tap Output
- 7.4V Output

Plugs



ATTO ONE Battery

ATTO ONE is the smallest battery in the FXLION product range and is the perfect companion for your camera rig, gimbal, LED light, or even your smartphone and laptop. The battery is super tiny and weighs only 220g.

With the two 1/4 inch threads, the battery can be mounted almost anywhere. ATTO ONE offers various outputs such as D-Tap, USB-C, USB-A, and a 7.4V DC socket.

The capacity is 37Wh and can be loaded with a maximum of 74W. All outputs can be used simultaneously.

Capacity:	5.0Ah/7.4V /37Wh
Output:	USB-A: 5V/2A
	USB-C: 5V/3A 9V/3A 12V/3A 15V/3A 20V/2.2A
D-Tap:	12V/3A (Max)
φ2.1 DC:	7.4V/5A (Max)
USB-A+USB-C+D-Tap+φ2.1DC:	74W (Max)
	4 channels can work at same time,total output is 74W(Max)
Charge:only by USB-C,	5V/3A 9V/3A 12V/3A 15V/2A 20V/1.5A
Dimension:	50.7mm(L)*35mm(W)*104.5mm(H)
Weight:	220g



ATTO ONE



ATTO battery handle

ATTOR01

Features:

Standard thread fixation and structural design, which can be used as a separate handle on any camera and video accessories.

At the same time, the ATTO ONE can be fixed inside to facilitate the use of various power outputs of ATTO ONE and the replacement of ATTO ONE battery without disassembling the handle.

Dimension: 91.5mm(L)*58mm(W)*108mm(H)

Weight:180g



Power your Tube Light



Power your camera

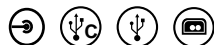
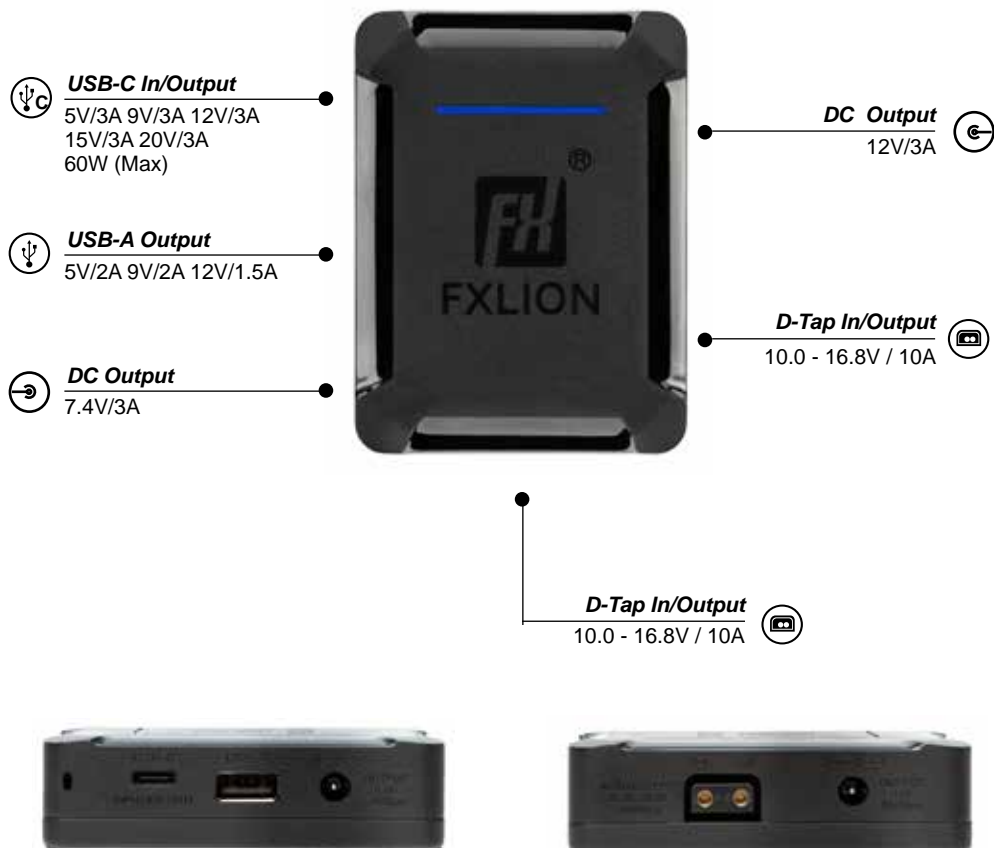


Charge your Phone



Charge your Laptop

NANO HUB



NANO HUB

NHUB01

The NANO HUB allows powering different equipment with one hub that you can power from different Inputs.

- 14.8V/12V/7.4V/5.0V multi voltages all equipped in NANO HUB, professional and more application.
- Fit for power supply for cellphones/laptop/Ipad/DSLR camera/DV camera/professional camera/LED lights.
- Input power could be 14.8V battery/Professional D-Tap charger/USB-C charger or adapter.
- Use 14.8V battery or D-Tap charger as input, 14.8V/12V/7.4V/USB-A /USB-C outputs working at same time.
Use USB-C adapter as input, 14.8V/12V/7.4V/USB-A outputs working at same time.
- 12VDC output fit for all 12V constant input equipment.
- 7.4Vφ2.1 output fit for DV camera/DSLR camera/LED lights.
- USB-C output built-in PD fast charge protocols, 60W Max power, fit for MacBook charge demand.
- USB-A support QC3.0 fast charge protocols, fit for cellphones and devices using USB-A power input.
- D-Tap output is battery voltage, fit for all 14.8V power in devices.
- The adapter is designed with a 1/4 screw hole, by using a standard hot-shoe, it can be fixed in any position of the equipment support system.

NANO HUB



Input DC D-Tap Battery



Input AC D-Tap Charger



Input AC USB-C Adapter



Input AC USB-C Adapter



Input DC D-Tap Battery



Equipped with 1/4 screw

PORTABLE POWER STATION

MAX2400



Model: MAX2400
Capacity: 51.52V 40Ah 2060.8Wh
AC Output Voltage*4: AC 230V/50Hz
Rated Output Power: 2400W

- Unique battery pack parallel technology, can double power and capacity at the same time.
- Lithium Iron Phosphate battery cells. At least 2000 times cycles (in the standard 25°C test environment).
- Pure sine wave AC output. Four AC output work simultaneously.
- Can be charged while discharging. No power interrupt issue during use.
- AC discharge peak is 4800W/200ms.
- Built in 1500W high power charging.
- With AC/Solar panel/12V Car charger multi input ports.
- With 4*AC/2*USB-A/2*USB-C/1*wireless charging/Cigarette Lighter Socket/2*DC multi output ports.Built-in 5W emergency light and SOS alarm function.
- Fully intelligent use and protection design inside .
- With metal frame and rubber corner protection design.
- With big smart LCD screen can display battery application information.
- MAX2400's comprehensive performance perfectly matches the film and television industry's power and home emergency power, outdoor travel, emergency disaster relief, field work and other occasions.



Battery 1 2400W/2060.8Wh Battery 2 2400W/2060.8Wh

Before Connected



After Connected:
4800W/4121.6Wh

BRICK BATTERY

Brick600 & Brick500 Battery



BRICK BATTERY

- Use high rate Li-ion battery cells, it can discharge at a high rate up to 30A for 14.4V Battery and 20A for 26V Battery, compatible with 400W or 500W high-power equipment
- High power intelligent protection chip is applied, and the battery has overcharge, over discharge, temperature and over-current protection. With overload self recovery design
- Compact structural design, integrated shell and output terminal design, ultra-high volume energy density ratio, truly achieving the ultimate high capacity of Li-ion battery within a small volume
- IP54 waterproof grade, perfectly compatible with the demand of LED lights, cameras, and other film and television equipment with waterproof requirements
- The waterproof design and high-power discharge meet the demand for high-power LED lights in the market, especially for LED lights above 300W or 500W which can use portable V-mount battery directly
- 2*D-Tap design, each with an output power of up to 10A, High Power output can synchronous power external equipment or High power external equipment while outputting battery.
- The shell is made of special materials, which is shockproof can meet requirements of daily outdoor Li-ion battery use
- 5-Level LED indicators

BRICK BATTERY



Brick600



Brick500

BP-HP600

Rated Voltage: 14.4V
 Capacity: 14.4V 38.8Ah 559Wh
 Current: 30A(Max)
 Power output: 400W(Max)
 D-Tap Output: 14.4V/10A(Max)
 Dimensions: 161.7(L)mm×104.7(W)mm×105.5(H)mm
 Weight: 2784g
 Waterproof Grade: IP54



BP-7S500

Rated Voltage: 26V
 Capacity: 25.2V 19.4Ah 489Wh
 Current: 20A
 Power output: 500W(Max)
 D-Tap Output: 25.2V/10A(Max)
 Dimensions: 161.7(L)mm×104.7(W)mm×105.5(H)mm
 Weight: 2506g
 Waterproof Grade: IP54



Waterproof Grade: IP54



Power ARRI S60(200W):
 Running time 5.5Hours

B-MOUNT BATTERY

B-Mount Battery



28V B-Mount Battery

The ultra volume energy ratio design, use high power cells, rechargeable Li-ion battery, no memory effect;

Build in smart communication system, can display the battery voltage / battery capacity / operating time / working current on the camera with communication function;

With 2*D-Tap, 1*USB-A and 1*USB-C multiple outputs options for equipment power supply;

Maximum 250W/10A output can power high voltage camera and high power lighting;

Two D-tap 16V constant output;

Build in smart PCB for over-heat, over-charge, over-discharge and over-current protections;

5-level indicators;

More safe and compatible structure, with rubber corners can adapt to falling in the work without damaging the shell;

Use special materials for battery negative and positive can bear the temperature up to 230°C,

The problem of high-temperature damaged components caused by high current discharge is solved;

Use professional B-mount or USB-C charger to charge B-mount battery;

D-Tap, USB-A and USB-C ports with dust cap design.



B-MOUNT BATTERY



BM-HV300

Capacity:	28.8V/10.2Ah/293Wh
Current:	10A(Max)
D-tap Output:	16V 64W(Max), DC16V(constant)
USB-A Output:	5V/2A 10W(Max)
USB-C Output:	5V~20V/3A 60W(Max)
USB-C Input:	20V/3A 60W(Max)
Dimension:	154(L)mm*100(W)mm*87(H)mm
Weight:	1650g



FX-BM2LC - 2-Channel Charger B-Mount

Input:	100-240V 47-63Hz
Output:	33.6V / 3.75A*2
Power Draw:	280W
Features:	Two channels simultaneous charging with 3.75 Amps per Channel
Dimensions:	230(L)mm*172.92(W)mm*75.5(H)mm
Weight:	1080g



FX-BM24D-V-lock to B-mount Adapter

Input:	10~29.4V
B-mount Output:	30V/6A(Max)
2*D-Tap Output:	12V/4A(Max)
Dimension(mm):	146.5mm(L)*102.5mm(W)*42.8mm(H)
Weight:	380g



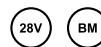
BM-HV200

Capacity:	28.8V/6.8Ah/196Wh
Current:	10A(Max)
D-tap Output:	16V 64W(Max), DC16V(constant)
USB-A Output:	5V/2A 10W(Max)
USB-C Output:	5V~20V/3A 60W(Max)
USB-C Input:	20V/3A 60W(Max)
Dimension:	154(L)mm*100(W)mm*68(H)mm
Weight:	1225g



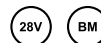
FX-BM4LC - 4-Channel Fast Charger B-Mount

Input:	100-240V 47-63Hz
Output:	33.6V / 3.75A*4
Power Draw:	550W
Features:	Four channels simultaneous charging with 3.75A Amps per Channel
Dimensions:	245(L)mm*154(W)mm*170(H)mm
Weight:	3000g



FX-BM-AR60 - Dual B-mount Plate for ARRI SkyPanel

Input:	28.8V battery *2
DC Output:	24~33.6V
Dimension(mm):	319mm(L)*109mm(W)*65mm(H)
Weight:	620g



BI-VOLTAGE BATTERY

Bi-Voltage Battery



Bi-Voltage Battery

Patented intelligent program, without any external accessories, the battery can automatically switch voltage intelligently

Bi-voltage V-lock battery, can output 14.8V power the camera and lighting, also can output 28V power camera and high power lighting
With 2*D-Tap, 1*USB-C and 1*USB-A multiple outputs options for equipment power supply.

More safe and compatible structure, with rubber corners can adapt to falling in the work without damaging the shell.

The ultra volume energy ratio design, use high power cells, rechargeable Li-ion battery, no memory effect.

Build in smart PCB for over-heat, over-charge, over-discharge and over-current protections.

5-level indicators.

Precise program control show battery cycles/battery voltage/battery current/power Percentage on LCD screen.

Build in smart communication system, can display the battery voltage / battery capacity / operating time / working current on the camera with communication function.

Can be charged by 16.8V V-lock or USB-C charger, no need use 28V charger

Use special materials for battery negative and positive can bear the temperature up to 230°C, The problem of high-temperature damaged components caused by high current discharge is solved.

BI-VOLTAGE BATTERY



BP-BV300

Capacity: 14.4V/20.4Ah/293Wh
28.8V/10.2Ah/293Wh

Output: 14.4V/250W/18A(Max)
28.8V/250W/10A(Max)

D-Tap Output*2: 16V/4A 64W(Max). when in 28.8V mode
14.4V/10A 144W(Max). when in 14.4V mode

USB-A Output: 5V/2A 10W(Max)

USB-C In/Output: 5V~20V/3A 60W(Max).when battery is 14.4V

Dimension(mm): 154(L)mm*100(W)mm*85(H)mm

Weight: 1650g

BP-BV200

Capacity: 14.4V/13.6Ah/196Wh
28.8V/6.8Ah/196Wh

Output: 14.4V/250W/18A(Max)
28.8V/250W/10A(Max)

D-Tap Output*2: 16V/4A 64W(Max). when in 28.8V mode
14.4V/10A 144W(Max). when in 14.4V mode

USB-A Output: 5V/2A 10W(Max)

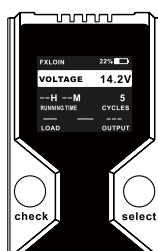
USB-C In/Output: 5V~20V/3A 60W(Max).when battery is 14.4V

Dimension(mm): 154(L)mm*100(W)mm*66(H)mm

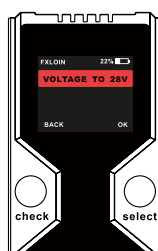
Weight: 1195g



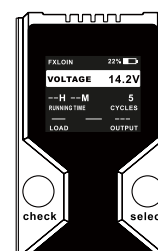
Use 28V steps:



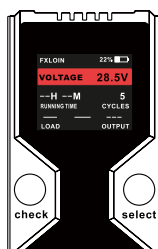
1. Press CHECK button to see battery power status, voltage from 12V to 16.8V



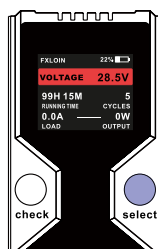
2. Keep press SELECT button 3 seconds, display turn to 28V flash in red and white



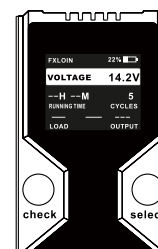
3. Press CHECK button in 3 seconds or do nothing, battery voltage turn back to 14.4V



4. Press SELECT button in 3 seconds, battery turn to 28V output status, display flash in red and white



5. Attach battery to device in 60 seconds, 28V output is locked, SELECT button light turn on, display show battery information



6. Remove battery from device, battery voltage turn back to 14.4V from 28V.

HIGH POWER SQUARE BATTERY

High Power Square Battery

Compact Design

- compact and rugged
- rubber corners for protection



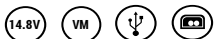
High temperature resistance materials

Plugs

- 1*USB-C Output
- 1*USB-A Output
- 4*D-Tap Outputs
- V-Mount Plate



4-Level Status Indicator



High Power Square V-Mount Battery

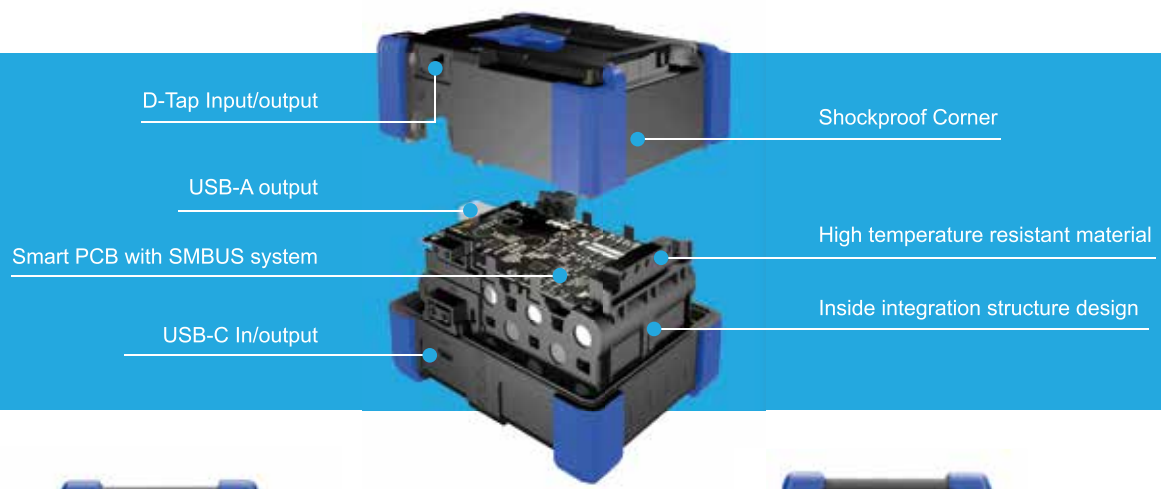
The demand for higher power batteries let us to reimagine and redesign the original Square Battery. With the same overall dimensions we present to you the High Power Square Battery Series!

This 18 Amps high power V-Mount battery has a capacity of 300 Watthours. Best suited for high power LED equipment or any other equipment that fits the needs of high power batteries.

As the battery's cells inside the housing had to be designed in a very compact way - it is even sturdier than the original Square Battery Series. We did lots of test - dropping the battery from one to even six meters, throwing it downstairs and so on, and the battery remains still in its original working condition. The rubber corners provide even more support, bouncing off the ground and absorbing some of the gravitational forces that occur while dropping down. So if you accidentally let the battery drop on set - don't worry!

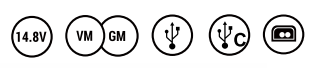
With 4 x D-Tap Outputs (also act as inputs) you can power most of your camera equipment right of one battery without using splitters. The BP-M160 and BP-M210 feature a USB-C Output and Input. Can use USB-C adapter charge BP-M160 and BP-M210.

HIGH POWER SQUARE BATTERY



BP-M160/AN-M160

Capacity: 14.8V 10.8Ah 159Wh
 Current: 15.0A(Max)
 D-Tap Output: 10~16.8V*4/15A(Max)
 USB-A Output: 5V/2A, 9V/2A, 12V/1.5A
 USB-C In/Output: 5V/3A, 9V/3A, 12V/3A, 15V/3A, 20V/3A (Output 60W Max)
 Dimension: 128.5(L)mm*99(W)mm*79(H)mm
 128.5(L)mm*99(W)mm*79(H)mm
 Weight: 1162g/1162g



BP-M210/AN-M210

Capacity: 14.8V 13.8Ah 205Wh
 Current: 15.0A(Max)
 D-Tap Output: 10~16.8V*4/15A(Max)
 USB-A Output: 5V/2A, 9V/2A, 12V/1.5A
 USB-C In/Output: 5V/3A, 9V/3A, 12V/3A, 15V/3A, 20V/3A (Output 60W Max)
 Dimension: 128.5(L)mm*99(W)mm*79(H)mm
 128.5(L)mm*99(W)mm*79(H)mm
 Weight: 1214g/1214g



BP-M300/AN-M300

Capacity: 14.8V 20.4Ah 300Wh
 Current: 18.0A(Max)
 D-Tap Output: 10~16.8V*4/18A(Max)
 USB-A Output: 5V/2.0A
 USB-C In/Output: 5V/3A, 9V/3A, 12V/3A, 15V/3A, 20V/3A (Output 60W Max)
 Dimension: 128.5(L)mm*99(W)mm*96(H)mm
 128.5(L)mm*99(W)mm*96(H)mm
 Weight: 1660g/1660g



SMART SQUARE BATTERY

Smart Square Battery

Compact Design

- compact and rugged

Plugs

- 1*USB-A Output
- 2*D-Tap In/Output
- V-Mount Plate



- LCD Screen show battery information

- USB 5V/2A Output



USB-A 5V/2A output



2*D-TAP Output



Compact structure



Smart Square V-Mount Battery

Cool Blue LCD screen

With SMBUS communication, the camera or intelligent charger can read the battery capacity, the remaining working time, cycles, etc

Unique ultra-small size, Ultra high energy density

Unique compact size, ideal for professional cameras like Red, Sony, Blackmagic, Arri MINI

Chargeable li-ion battery, no memory effect

Intelligent PCB design for over-heat, over-charge, over-discharge, and over-current protection

Working temperature: -20°C~+55°C

SMART SQUARE BATTERY



BP-M98L

Capacity: 14.8V 6.6Ah 98Wh
Current: 8A(Max)
D-Tap Output: 10~16.8V*2/8A(Max)
USB-A output: 5.0V/2A
Dimension: 117(L)mm*91.8(W)mm*54(H)mm
Weight: 635g



BP-M150L

Capacity: 14.8V 10Ah 148Wh
Current: 10A (Max)
D-Tap Output: 10~16.8V*2/10A(Max)
USB-A output: 5.0V/2.0A
Dimension: 117(L)mm*91.8(W)mm*64(H)mm
Weight: 818g



BP-M200L

Capacity: 14.8V 13.4Ah 198Wh
Current: 12.0A (Max)
D-Tap Output: 10~16.8V*2/12A(Max)
USB-A output: 5.0V/2A
Dimension: 117(L)mm*91.8(W)mm*79(H)mm
Weight: 1042g



HIGH POWER BATTERY

High Power Battery



USB-A Output

- 5V/2.0A

D-Tap & DC In/Output

- High working current of 15A
- D-Tap In/Output: 14.8V
- DC In/Output, 2.1pin



High Power V-Mount / Gold-Mount Battery

The High Power Battery series is made for equipment that uses much current at a rated voltage of 14.8 Volts. Starting from 265Wh capacity you can draw a Maximum of 15A for longer time.

The internal protection chips makes sure there won't be any over-heating, over-charge, over-discharge and over-current causing any risk or harm.

The battery is chargeable and can be used in temperatures ranging from -20°C~ +55°C with a Maximum loss in sub zero temperatures of half the capacity. A 5-level status indicator lets you know how much capacity is left.

FX-HP265S / FX-HP265A

Capacity:	14.8V 18Ah 265Wh
Current:	15A(Max)
D-Tap Output:	10~16.8V/15A(Max)
USB-A output:	5.0V/2.0A
Dimension:	158(L)mm*100(W)mm*69.5(H)mm 158(L)mm*100(W)mm*74.8(H)mm
Weight:	1378g/1467g



FX-HP300S / FX-HP300A

Capacity:	14.8V 20.4Ah 300Wh
Current:	15A(Max)
D-Tap Output:	10~16.8V/15A(Max)
USB-A output:	5.0V/2.0A
Dimension:	158(L)mm*100(W)mm*69.5(H)mm 158(L)mm*100(W)mm*74.8(H)mm
Weight:	1478g/1480g



UPS - Intelligent Battery

Solid Housing

- integrated smart circuit

V-Lock Plate

- for mounting the battery on a camera / light

Reversed V-Lock Plate

Plugs

- D-Tap In/Output
- DC In/Output
- USB-A 5V/2A



UPS - Intelligent Li-ion V-Mount Battery

The UPS - Intelligent Li-Ion V-Mount battery provides your equipment with continuous power, as it acts as a V-Mount battery, on which you also can put another battery on. So you can “hot-swap” on any equipment without risking it to loose power. First the attached battery is used and then if it reaches a critical point - power switches back to the Intelligent Battery instantly.

The battery is chargeable and can be used in temperatures ranging from -20°C~ +55°C with a Maximum loss in sub zero temperatures of half the capacity.5-level LED power indicator. The first level light as the back battery replacement light at the same time.

BP-F100U

Capacity:	14.8V 6.6Ah 100Wh
Current:	12A(Max)
D-Tap Output:	10~16.8V/8A(Max)
Dimension:	152(L)mm*100(W)mm*63(H)mm
Weight:	850g



Cool Black Battery

5-Level Status Indicator

Plugs

- USB-A Output
- D-Tap In/Output
- DC In/Output



Cool Black V-Mount / Gold-Mount Battery

The Cool Black Series features V-Mount / Gold-Mount batteries with a simple 5-level status indicator which shows you the capacity level.

USB-A, D-Tap and DC In/Outputs give you more than just one option to power your equipment. The battery can be charged and discharged over D-Tap and the V- / Gold-Mount pins.

It has a built in protection-circuit - as all our batteries do - that protects the battery and used electronic equipment against over-heating, over-charge and over-discharge. The battery is chargeable and can be used in temperatures ranging from -20°C~ +55°C with a maximum loss in sub zero temperatures of half the capacity.

With capacities ranging from 100Wh to 250Wh you can choose what fits your needs.

COOL BLACK BATTERY



BP-100S / AN-100A

Capacity: 14.8V 6.6Ah 98Wh
 Current: 8A(Max)
 D-Tap Output: 10~16.8V/8A(Max)
 USB-A output: 5.0V/2.0A
 Dimension: 158(L)mm*100(W)mm*48(H)mm
 158(L)mm*100(W)mm*53(H)mm
 Weight: 763g/765g



BP-130S / AN-130A

Capacity: 14.8V 9Ah 130Wh
 Current: 8A(Max)
 D-Tap Output: 10~16.8V/8A(Max)
 USB-A output: 5.0V/2.0A
 Dimension: 158(L)mm*100(W)mm*51(H)mm
 158(L)mm*100(W)mm*56.5(H)mm
 Weight: 925g/934g



BP-160S / AN-160A

Capacity: 14.8V 10.5Ah 160Wh
 Current: 10A(Max)
 D-Tap Output: 10~16.8V/10A(Max)
 USB-A output: 5.0V/2.0A
 Dimension: 158(L)mm*100(W)mm*51(H)mm
 158(L)mm*100(W)mm*56.5(H)mm
 Weight: 975g/976g



BP-190S / AN-190A

Capacity: 14.8V 13Ah 190Wh
 Current: 12A(Max)
 D-Tap Output: 10~16.8V/12A(Max)
 USB-A output: 5.0V/2.0A
 Dimension: 158(L)mm*100(W)mm*64.5(H)mm
 158(L)mm*100(W)mm*70(H)mm
 Weight: 1195g/1218g



BP-250S / AN-250A

Capacity: 14.8V 16.75Ah 250Wh
 Current: 12A(Max)
 D-Tap Output: 10~16.8V/12A(Max)
 USB-A output: 5.0V/2.0A
 Dimension: 158(L)mm*100(W)mm*64.5(H)mm
 158(L)mm*100(W)mm*70(H)mm
 Weight: 1225g/1237g



26V BATTERY

26V Battery

26V

- 15A working current (Max)

D-Tap In/Output

- 26V only



26V V-Mount / Gold-Mount Battery

High power & big current design, fit for 18-30V film equipment and high power LED lights.

Protection chips for high power battery; Intelligent PCB design for over-heat, over-charge, over-discharge, and over-current protection

Normal working current is 10A

Working current can up to 15A (Max)

Chargeable li-ion battery, no memory effect

Working temperature: -20°C~+55°C

4-level LED power indicator

The indicator will turn off one by one during working

D-Tap output is battery output

26V BATTERY



BP-7S230/AN-7S230

Capacity: 26V 9.0Ah 230Wh
 Current: 15A(Max)
 D-Tap Output: 20~29.4V/15A(Max)
 Dimension: 152(L)mm*97(W)mm*65(H)mm
 152(L)mm*97(W)mm*70(H)mm
 Weight: 1180g/1160g



BP-7S270/AN-7S270

Capacity: 26V 10.5Ah 270Wh
 Current: 15A(Max)
 D-Tap Output: 20~29.4V/15A(Max)
 Dimension: 152(L)mm*97(W)mm*65(H)mm
 152(L)mm*97(W)mm*70(H)mm
 Weight: 1270g/1193g



FX-4S7S2D/FX-4S7S2DA

Auto Identify Bi-Voltages Battery Charger
 Power Draw: 160W(Max)
 Dimension/Weight:
 140(L)mm*93(W)mm*194.5(H)mm/1200g



Input: 100~240VAC 47~63Hz
 Output: 16.8V/4.0A*2 or 29.4V/2.0A*2
 2 channels simultaneous charging



Input: 100~240VAC 47~63Hz
 Output: 16.8V/4.0A*1+29.4V/2.0A*1
 2 channels simultaneous charging



PL-7115-B01 - 26V D-Tap Fast Charger

Input: 100-240V 47-63Hz
 Output: 29.4V / 5.0A
 Power Draw: 150W
 Features: only for 26V batteries!
 Dimension: 177(L)mm*77(W)mm*48(H)mm
 Weight: 610g



ULTRA FAST CHARGER

Ultra Fast Chargers



FX-BA4S - 4-Channel Ultra Fast Charger V-Mount

Input: 100-240V 47-63Hz
Output: 16.8V/3A*4 or 16.8V/6A*4
Power Draw: 450W
Features: Four channels simultaneous charging
Dimension: 281(L)mm*145(W)mm*191(H)mm
Weight: 2510g

FX-BA4A- 4-Channel Ultra Fast Charger Gold-Mount

Input: 100-240V 47-63Hz
Output: 16.8V/3A*4 or 16.8V/6A*4
Power Draw: 450W
Features: Four channels simultaneous charging
Dimension: 281(L)mm*128(W)mm*191(H)mm
Weight: 2470g



Ultra Fast Chargers for V-Mount and Gold-Mount Batteries

- Can choose 6A fast charging or 3A normal charging according to the capacity of the battery. Greater protection of the battery performance and extend the service life of the battery while meet the demand for fast charging
- Four channel can work and charging four batteries at the same time
- LCD screen displays the charging status of the four channels
- Intelligent PCB design with over-charging, over-current, anti-reverse connection and anti-backflow protection
- Compact shell design
- With temperature-controlled noise reduction fan

Fast-Smart Chargers



- i **PL-Q4BL - 4-Channel Smart Charger V-Mount**
 Input: 100-240V 47-63Hz
 Output: 16.8V / 4.0A (each channel)
 Power Draw: 300W
 Features: Four channels simultaneous charging
 Dimension: 281(L)mm*145(W)mm*191(H)mm
 Weight: 2510g

- i **PL-Q4AL - 4-Channel Smart Charger Gold-Mount**
 Input: 100-240V 47-63Hz
 Output: 16.8V / 4.0A (each channel)
 Power Draw: 300W
 Features: Four channels simultaneous charging
 Dimension: 281(L)mm*128(W)mm*191(H)mm
 Weight: 2470g



Fast Smart Chargers for V-Mount and Gold-Mount Batteries

All our Chargers offer automatic Voltage detection ranging from 100 - 240VAC 47-63Hz. This opens the possibilities to travel with your charger anywhere in the world without even thinking about the different voltages.

Fast Chargers can charge your batteries with a current of 4 Amps for each channel - so your batteries will be ready for the next scene.

For smart batteries with SMBUS system, will show battery capacity percentage, capacity, charging voltage, charging current, remaining charging time and cycle.

For normal batteries without SMBUS system, will show Charging voltage/Charging current/Current Battery Capacity only.

FAST CHARGER

Fast Chargers



PL-Q480B / PL-Q480A - 4-Channel Fast Charger

Input: 100-240V 47-63Hz
Output: 16.8V / 4.0A (each channel)
Power Draw: 300W
Dimension: 281(L)mm*145(W)mm*191(H)mm
281(L)mm*128(W)mm*191(H)mm
Features: Four channels simultaneous charging
Weight: 2500g/2460g



PL-Q280B / PL-Q280A – 2 Channel Fast Charger

Input: 100-240V 47-63Hz
Output: 16.8V / 4.0A (each channel)
Power Draw: 150W
Dimension: 141(L)mm*104(W)mm*230.5(H)mm
141(L)mm*87(W)mm*230.5(H)mm
Features: Two channels simultaneous charging
Weight: 920g/880g



PL-Q80B / PL-Q80A - Mono Fast Charger

Input: 100-240V 47-63Hz
Output: 16.8V / 4.5A
USB-A Output: 5V / 2A
Power Draw: 80W
Dimension: 165(L)mm*108(W)mm*72(H)mm
165(L)mm*103(W)mm*62(H)mm
Weight: 420g/390g



Chargers for V-mount and Gold-mount Batteries

All our Chargers offer automatic Voltage detection ranging from 100 - 240VAC 47-63Hz. This opens the possibilities to travel with your charger anywhere in the world without even thinking about the different voltages.

Most of our chargers also offer simultaneous charging, when more than one channel is available. Please refer to the technical specifications of each product.

There are chargers available offering charging outputs of 2.0A, 4.0A and 4.5A (always per channel) The bigger the current of the output, the faster can you charge your batteries.

12-CH Wall Chargers

Rubber Protector



Status Displays

status indicator for each channel

12-Channel V-Mount Plates

16.8V / 4.0 A Output

PL-Q4B12



12-CHANNEL WALL CHARGER

Using a 12-Channel Wall charger is a convenient way to make sure all your batteries are always ready for the set. Best suited for rental houses. The Kit includes screws and plates for wall-mounting. And it only uses one power cable. Intelligent temperature control fan management, lower noise 12 channels are divided into 3 power switch controls, saving more power. With three switches, you can power just four channels at once - or all twelve together. The sturdy aluminum housing and three fans on top make sure the device doesn't overheat. The status display shows the battery voltage and charging output, so you always know the percentage of each individual battery. Easy to use - with a big impact on charging control.

PL-Q4B12 V-mount and PL-Q4A12 Gold-mount 12-ch fast charger. With LCD Screen show charging voltage and capacity. In order to meet the needs of customers, we develop new Smart wall charger and Bi-voltage charger.

PL-QBL12 is smart 12-CH wall charger. For smart batteries with SMBUS system, will show battery capacity percentage, capacity, charging voltage, charging current, remaining charging time and cycle.

For normal batteries without SMBUS system, will show Charging voltage/Charging current/Current Battery Capacity only.

PL-Q4B12BV is Bi-voltage 12-CH wall charger. 14.8V and 26V simultaneous charging. This charger automatically identifies your battery voltage (14.8V / 26V) and adjusts for charging. You can charge 2 channels simultaneously.

12-CH Wall Chargers



PL-Q4B12 / PL-Q4A12 - 12-Channel Fast Charger

Input: 100~240VAC 47~63Hz
 Output: 16.8V/4.0A*12
 Power Draw: 1000W

PL-Q4B12 V-mount
 Dimension: 785(L)mm*540(W)mm*110(H)mm
 Weight: 14kg
 PL-Q4A12 Gold-mount
 Dimension: 785(L)mm*540(W)mm*103(H)mm
 Weigh: 13.9kg



PL-QBL12/PL-QAL12 - 12-Channel Smart Charger

Input: 100~240VAC 47~63Hz
 Output: 16.8V/4.0A*12
 Power Draw: 1000W

PL-QBL12 V-mount
 Dimension: 785(L)mm*540(W)mm*110(H)mm
 Weight: 14kg
 PL-QAL12 Gold-mount
 Dimension: 785(L)mm*540(W)mm*103(H)mm
 Weigh: 13.9kg



PL-Q4B12BV/PL-Q4A12BV - 12-Channel Bi-voltage Charger

Input: 100~240VAC 47~63Hz
 Output: 16.8V/4.0A*12 or 29.4V/2A*12
 Power Draw: 1000W

PL-Q4B12BV V-mount
 Dimension: 785(L)mm*540(W)mm*110(H)mm
 Weight: 14kg
 PL-Q4A12BV Gold-mount
 Dimension: 785(L)mm*540(W)mm*103(H)mm
 Weigh: 13.9kg



MINI CHARGER

Mini Chargers



FX-M2S / FX-M2A – Mini 2-Channel Charger

Input: 100-240VAC 47-63Hz
Output: 16.8V / 2.0A (each channel)
Power Draw: 100W
Dimension: 102(L)mm*84.4(W)mm*152(H)mm
102(L)mm*66.5(W)mm*155(H)mm
Features: Two channels simultaneous charging
Weight: 632g/632g



FX-M4S / FX-M4A – Mini 4-Channel Charger

Input: 100-240VAC 47-63Hz
Output: 16.8V / 2.0A (each channel)
Power Draw: 200W
Dimension: 220(L)mm*101(W)mm*156(H)mm
220(L)mm*83.5(W)mm*159(H)mm
Features: Four channels simultaneous charging
Weight: 1420g/1420g



iPhone XS

FX-M2S

Mini Chargers for V-Mount and Gold-Mount Batteries

All our V-mount Chargers offer automatic Voltage detection ranging from 100 - 240VAC 47-63Hz. This opens the possibilities to travel with your charger anywhere in the world without even thinking about the different voltages.

Mini Charger FX-M2S is designed small size by minimum size of standard V-mount plate, compatible for all V-mount batteries.

Our Mini Chargers offer only 2 Amps Output per channel, due to the small size.

D-TAP CHARGER

D-Tap Chargers



PL-3680B-B01

Input: 100-240V 47-63Hz
Output: 16.8V / 2.0A
Power Draw: 50W
Dimension: 120(L)mm*70(W)mm*35(H)mm
Weight: 160g



PL-3680Q

Input: 100-240V 47-63Hz
Output: 16.8V / 4.0A
Power Draw: 80W
Dimension: 169(L)mm*65(W)mm*41(H)mm
Weight: 400g



PL-3680Q-D2

Input: 100-240V 47-63Hz
Output: 16.8V / 4.0A
Power Draw: 80W
Features: 2 Plugs, can be used simultaneously
Dimension: 169(L)mm*65(W)mm*41(H)mm
Weight: 400g



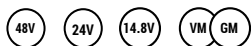
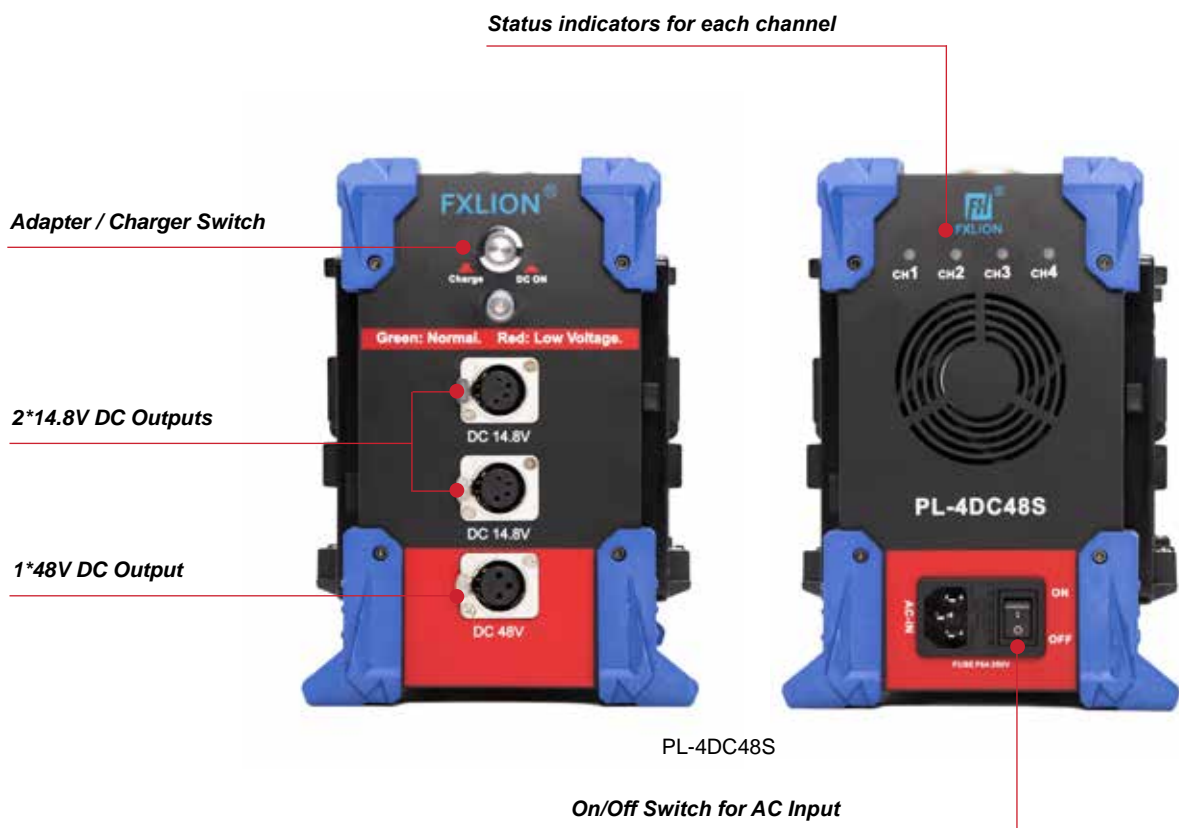
Chargers for V-Mount and Gold-Mount Batteries

Three different D-Tap chargers are available. You can use them on any of our batteries that have a D-TAP socket. Please note that you may not use other manufacturers D-Tap as a charging input before reading their technical specification sheets.

You may not use these 14.8V D-Tap chargers on our 26V batteries.

Fast chargers with a charging output of 4 Amps are available. Normal chargers have a 2 Amps output.

SKYPOWER - Power Station & Charger



24V & 48V SKYPOWER POWER STATION & CHARGER

The classic Skypower Series features a 24V and 48V version for V-mount or Gold-mount batteries. Both versions act as battery charger and power station. The charging output is 2 Amps at 16.8 Volts.

If you put four 14.8V batteries on it, doesn't matter how much capacity they have, the 14.8 volts are being transformed to 24V or 48V (according to the version). At the same time you have two 14.8V outputs via XLR Connector to power anything that accepts this voltage. This could be a camera via XLR to D-Tap cable or any other electrical equipment that runs on 14.8V. Fxlion offers different types of cables.

The power station and charger can't work together at the same time. To switch to the DC Output (transformer) there's a switch on the upper side of the front panel. On the back you'll find a status indicator for each of the four channels.

SKYPOWER POWER SOLUTION



PL-4DCS / PL-4DCA

Skypower 24V

DC Output Adapter:

DC input: 14.8V * 4 (Battery)
 DC outputs: 1 * 24V / 15A (Max)
 2 * 14.8V / 10A (Max)

Power Draw: 360W

Features: 14.8V and 24V work simultaneously.

Charger:

Input: 100-240V 47-63Hz
 Output: 16.8V/2.0A * 4
 Features: Charge four pieces battery simultaneously.
 Dimension: 304(L)mm*134(W)mm*207(H)mm
 304(L)mm*134(W)mm*207(H)mm
 Weight: 2900g/2820g



PL-4DC48S / PL-4DC48A

Skypower 48V

DC Output Adapter:

DC input: 14.8V * 4 (Battery)
 DC outputs: 1 * 48V/10A (Max)
 2 * 14.8V/10A (Max)

Power Draw: 480W

Features: 14.8V and 48V work simultaneously.

Charger:

Input: 100-240V 47-63Hz
 Output: 16.8V/2.0A * 4
 Features: Charge four pieces battery simultaneously.
 Dimension: 304(L)mm*154(W)mm*227(H)mm
 304(L)mm*154(W)mm*227(H)mm
 Weight: 3400g/3320g



Skypower Kit Running Time

24V Skypower Kit	24V LED Light	Full Power Running Time
FX-HP265S*4 (1060Wh)	Kino Flo 150W	6h40min
FX-HP265S*4 (1060Wh)	Litepanels 325W	3h5min
48V Skypower Kit	48V LED Light	Full Power Running Time
BP-M300*4 (1200Wh)	ARRI S60 320W	2h45min
BP-M300*4 (1200Wh)	Aladdin Fabric 350W	3h15min



48V MINI SKYPOWER Power Station



FX-48D

48V DC Output Adapter

- Special MINI power solution for 48V LED light.
- 48V 10A power design, fully meet the use of ARRI S60, Fiilex, Aladdin 48V LED light, lightstar 180W or other brand 48V LED light.
- Use two pieces full power 26V V-lock battery, you can get 480W Maximum power output.
- Use two pieces full power 14.8V V-lock battery, you can get 400W Maximum power output.
- Suitable for batteries above 190Wh.

FX-48D / FX-48DA- Mini Skypower 48V

- Input: 14.8V*2 (Output: 48V / 400W Max) or 26V*2 (Output: 48V / 480W Max)
- Output: 48V / 10A
- Features: 48V Output from 2*14.8V Batteries or 2*26V Batteries
- Dimensions/Weight:
 FX-48D 125.5(L)mm*92.5(W)mm*177.5(H)mm/1050g
 FX-48DA 125.5(L)mm*75.5(W)mm*177.5(H)mm/1000g



FX-48D 48V output via 2*26V batteries



FX-48D 48V output via 2*14.8V batteries



3/8 thread holder

SKYPOWER KIT

SKYPOWER KITS



FX-48K265



PL-4DC48S Case



FX-24K190



FX-48K190

MINI Skypower Kits



FX-48D*1



Battery*2 Other battery model is optional



DC Cable



Battery kit case



D-Tap charger *1

SKY ONE

SKY ONE

Power Station & Charger

Hard-Case for Protection

6*DC Outputs

- 2*14.8V / 15A
- 2*24.0V / 15A
- 2*48.0V / 10A

AC-Input with Switch

- 100-240VAC Input
- ON / OFF Switch
- Fuse



V-Mount Plates

4 Channels for 14.8V V-Mount batteries with Circuit protection

14.8V D-Tap

2*14.8V D-Tap Outputs

USB-A Plugs

5.0V/3A, 9.0V/2A, 12.0V/1.5A

LCD Display

- Charging Voltage
- Battery Capacity
- Battery Cycle
- Status indication



14.8V/24V/48V SKYONE POWER STATION & CHARGER

The SKYONE combines the features of both, the SKYPOWER 24V and SKYPOWER 48V and gives you much more possibilities. Instead of one 24V/48V Output you have 2*24V (15A) and 2*48V (10A) Outputs as well as 2*14.8V (15A) Outputs.

For powering any other devices, there are two D-Tap and two USB-A Outputs available. And all you need is four V-Mount batteries. You can even use this portable power station for charging your V-Mount batteries if needed. A little LCD display shows you the charging voltage and amps, as well as the status of the batteries and their cycles. All these features put together in a single Hard-Case - best suited for even hard weather conditions on set, as well as a sturdy rental product for rental houses.

SKY ONE

4-Channel V-Mount Power Station & Charger
 Your portable power solution with 2 x 24V, 2 x 48V and 2 x 14.8V outputs. Use four V-Mount batteries to get it all started. The LCD display always shows you the overall status of your batteries and consumption.

Li-ion Battery Output Adapter
 DC Input: 14.8V*4(battery)
 DC Output: 14.8V*2 15A(Max)
 24V*2 15A(Max)
 48V*2 10A(Max)

14.8V/24V/48V can work simultaneously
 D-Tap Outputs: 14.8V 15A(Max)
 USB-A Outputs: 5V/3A, 9V/2A, 12V/1.5A

Battery Charger
 Input: 100-240VAC 50/60Hz
 Output: 16.8V/4A *4
 Can charge 4pcs V-lock batteries simultaneously
 Dimension: 495(L)mm*400(W)mm*215(H)mm
 Weight: 7320g
 can custom Gold-mount Skyone



48V/24V/14.8V can work simultaneously



48V/24V/14.8V outputs terminal with dust rubber



Skyone case

SKY THREE

SKY THREE

48V/1000W Portable Adapter



48V PORTABLE ADAPTER

The Fxlion SKY THREE offers you 48V high power output for big LED lights. You can either use four 14.8V batteries to get a Maximum output of 48V/750W or four 26V batteries to get a Maximum output of 48V/1000W. The SKY THREE auto-identifies the incoming voltage. Please note, you can not mix 14.8V & 26V batteries with this device. The Maximum output allows you to use the SKY THREE with all LED lights up to a 1000W. If you are using two 14.8V or two 26V batteries alone, you will get a Maximum output of 48V/480W. This device has protecting rubber corners and offers an incredibly compact design. The package includes a steel wire rope to hang the SKY THREE on a stand or mount it directly to a light fixture.

Dimension: 178(L)mm*162(W)mm*181(H)mm

Weight:2260g



Input:4*14.8V battery Output:48V/750W(Max)
Power Arri Orbiter 48V/500W
Power Creamsource Vortex8 48V/650W



Input:4*26V battery Output:48V/1000W(Max)
Power Nanlux Dyno650c 48V700W
Power Lightstar LMAT-4 48V/720W

SKY TWO

48V/24V Portable Adapter



48V/24V PORTABLE ADAPTER

The Fxlion Mini Skypower offers you 24V and 48V powering options. You can either use two 14.8V, two 26V or one of each at the same time (Bi-Voltage). Each combination of batteries will offer you different maximum outputs. The Mini Skypower 24V/48V has a compact design and rubber corners for maximum protection. Standard steel wire rope, can be suspended for use.

- DC input: 14.8V*2
- DC output: 24V/360W(max) or 48V/400W(max)
- DC input: 26V*2
- DC output: 24V/360W(max) or 48V/480W(max)
- DC input: 14.8V*1+26V*1
- DC output: 24V/360W(max) or 48V/400W(max)



28V Power Solution

LCD Display

- Capacity
- Voltage
- Status indicator

15V ON/OFF Switch

15V Output

- 15V / 8A Max

Charge Input

- 29.4V/5A



USB-A Output

28V Outputs

- 30A (for both channels Max)

FX-HP-7224 PLUS



28V MEGA BATTERY - POWER STATION

The MEGA BATTERY Series is built out of high power li-ion cells - normally used for electric vehicles, with an ultra-high discharging current. Its low-temperature performance is much better than that of ordinary li-ion batteries. 60% capacity available in the low temperature environment of -30°C, which is much more higher than that of ordinary li-ion batteries. The battery output current is up to 30A (Max) which can provide ultra-high power for high-power film equipment. Protected against over-discharge / over-heat / over-current - there's no way to damage any expensive film equipment. All cells used by FXLion have no memory effect. Working temperature: - 30 ° C ~ +55 ° C. Extra thick rubber corners protect the battery on set. All Outputs can be used simultaneously.

CHARGING TIMES

FX-HP-7224	28V / 620Wh Mega Battery	5 hours
FX-HP-7224 PLUS	28V / 1232Wh Mega Battery	10.5 hours

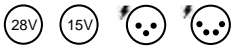
MEGA BATTERY



FX-HP-7224 - 28V / 620Wh Mega Battery

Two 28V Outputs and one 15V Output - totally 620Wh give you a lot of power storage - usable for High power LED lights - and any other suitable film equipment. Get a Maximum of 30 Amps out of both 28V Outputs and 8 Amps out of the 15V Output. The indicator LED shows you the status of the battery. For charging - use the PL-7115 charger - charge your battery in 5 hours.

Capacity:	620Wh / 24Ah
Input:	PL-7115 Charger (29.4VDC / 5A)
Outputs:	CH1 + CH2: 28V /30A (Max) CH3: 15V / 8A (Max)
Pinout:	28V Outputs: 3-Pin XLR-F socket 15V Output: 4-Pin XLR-F socket
Weight:	7500g
Dimension:	234(L)mm*164(W)mm*189(H)mm



FX-HP-7224 PLUS - 28V / 1232Wh Mega Battery

Two 28V Outputs and one 15V Output - totally 1232Wh - double the capacity of the 620Wh model - give you a lot of power storage - usable for High power LED lights - and any other suitable film equipment. Get a Maximum of 30 Amps out of both 28V Outputs and 8 Amps out of the 15V Output. The indicator LCD shows you the status of the battery. For charging - use the PL-7115 charger - charge your battery in 10.5 hours.

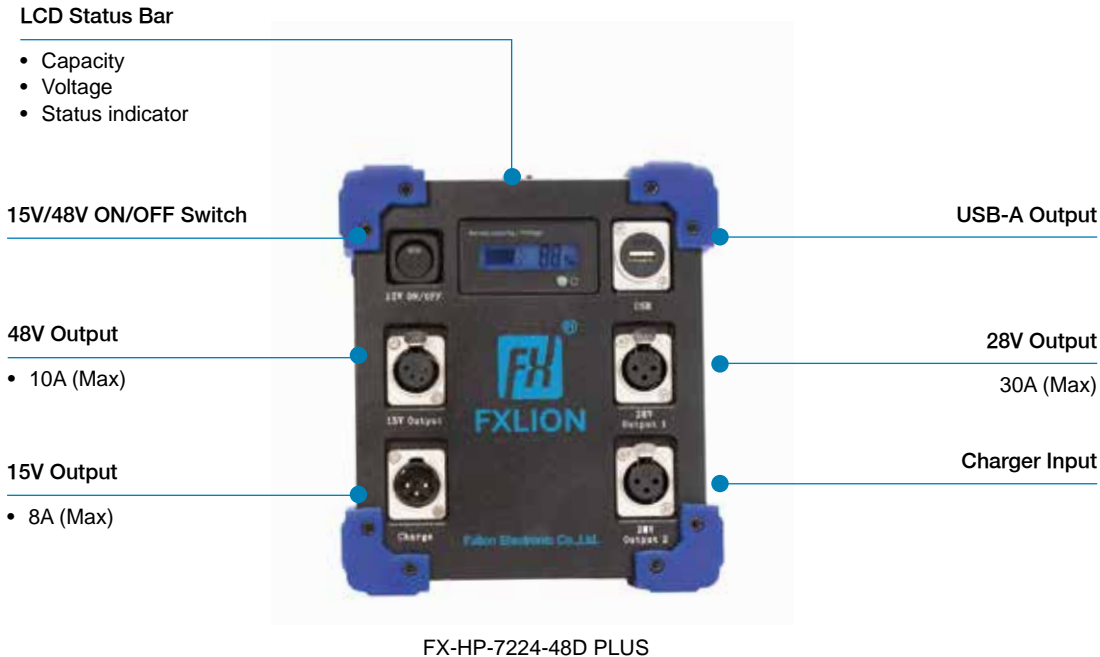
Capacity:	1230Wh / 47.6Ah
Input:	PL-7115 Charger (29.4VDC / 5A)
Output:	CH1 + CH2: 28V /30A (Max) CH3: 15V / 8A USB-A: 5V / 2A
Pinout:	28V Outputs: 3-Pin XLR-F socket 15V Output: 4-Pin XLR-F socket
Weight:	8900g
Dimension:	240(L)mm*168(W)mm*189(H)mm



PL-7115 - Mega Battery Fast Charger

Input:	100-240V AC 47-63Hz
Output:	29.4V/5.0A
Dimension:	177(L)mm*77(W)mm*48(H)mm
Weight:	640g
Specialized charger for FX-HP-7224 FX-HP-7224-48D FX-HP-7224 Plus FX-HP-7224-48D Plus	

48V Power Solution



FX-HP-7224-48D PLUS



48V MEGA BATTERY - POWER STATION

Using high power li-ion cells for electric vehicles, which has super-high discharging current. Its low-temperature performance is much better than that of ordinary li-ion batteries. 60% capacity available in the low temperature environment of -30°C, which is much more higher than that of ordinary li-ion batteries. The battery output current is up to 30A(Max), which can provide portable ultra-high power for high-power film equipment. With high-power protection chip, it has overcharge /over-discharge/over-heat/over-current protection. No memory effect. Working temperature: - 30 ° C ~ +55 ° C. Extra thick rubber sheath, more suitable for shooting on-site. All Outputs can be used simultaneously.

CHARGING TIMES

FX-HP-7224-48D	48V / 620Wh Mega Battery	5 hours
FX-HP-7224-48D PLUS	48V / 1232Wh Mega Battery	10.5 hours

MEGA BATTERY



FX-HP-7224-48D - 48V / 620Wh Mega Battery

One 48V, one 28V and one 15V Output - totally 620Wh give you a lot of power storage - usable for High power LED lights - and any other suitable film equipment. Get a Maximum of 30 Amps out of the 28V Output, 10 Amps out of the 48V Output and 8 Amps out of the 15V Output. The indicator LED shows you the status of the battery. For charging - use the PL-7115 charger - charge your battery in 5 hours.

Capacity:	620Wh / 24Ah
Input:	PL-7115 Charger (29.4VDC / 5A)
Outputs:	CH1 48V / 10A (Max) CH2: 28V / 30A (Max) CH3: 15V / 8A (Max)
Pinout:	48V Output: 3-Pin XLR-F socket 28V Output: 3-Pin XLR-F socket 15V Output: 4-Pin XLR-F socket
Weight:	9300g
Dimension:	280(L)mm*164(W)mm*189(H)mm



FX-HP-7224-48D PLUS - 48V / 1232Wh Mega Battery

One 48V, one 28V and one 15V Output - totally 1232Wh give you a lot of power storage - usable for High power LED lights - and any other suitable film equipment. Get a Maximum of 30 Amps out of the 28V Output, 10 Amps out of the 48V Output and 8 Amps out of the 15V Output. The indicator LCD shows you the status of the battery. For charging - use the PL-7115 charger - charge your battery in 10.5 hours.

Capacity:	1232Wh / 47.6Ah
Input:	PL-7115 Charger (30VDC / 5A)
Outputs:	CH1 48V / 10A (Max) CH2: 28V / 30A (Max) CH3: 15V / 8A (Max) USB-A: 5V / 2A
Pinout:	48V Output: 3-Pin XLR-F socket 28V Output: 3-Pin XLR-F socket 15V Output: 4-Pin XLR-F socket
Weight:	10, 100g
Dimension:	280(L)mm*168(W)mm*189(H)mm



PL-7117 - Mega Battery Fast Charger

Input:	100-240V AC 47-63Hz
Output:	29.4V/7.0A
Dimension:	177(L)mm*80(W)mm*52(H)mm
Weight:	710g
Specialized charger for FX-HP-7224 FX-HP-7224-48D FX-HP-7224 Plus FX-HP-7224-48D Plus	

Batteries for Sony and Panasonic



Batteries for Sony and Panasonic Camcorders

Different batteries for use in professional camcorders are available. DF-248 battery is mostly used in application such as video monitors (like products from SmallHD, Atomos etc.) and of course for camcorders in the semi-professional sector.

Some of these batteries feature a 4-level status indicator. They all have a built in protection circuit - that protects the battery and used equipment to cause over-charge, over-discharge, over-current and short-circuit.

DV BATTERY AND CHARGER



DF-U65
 Capacity: 14.8V 4.4Ah 65Wh
 Features: LED indicator for status
 Dimension: 69.5(L)mm*41.5(W)mm*82.5(H)mm
 Weight: 390g
 Compatibility: Substitute of Sony BP-U

14.8V



DF-U98
 Capacity: 14.8V 6.6Ah 98Wh
 Features: With USB and D-Tap outputs
 Dimension: 95.5(L)mm*41.5 (W)mm*70(H)mm
 Weight: 435g
 Compatibility: Substitute of Sony BP-U

14.8V



DF-248
 Capacity: 7.4V 6.6Ah 48Wh
 Features: Build-in multi protection
 Dimension: 70(L)mm*39(W)mm*60(H)mm
 Weight: 270g
 Compatibility: Substitute of Sony NP-F

7.4V



DP-266
 Capacity: 7.4V 6.6Ah 48Wh
 Features: DC Output
 Dimension: 65.5(L)mm*36.5(W)mm*83(H)mm
 Weight: 290g
 Compatibility: Substitute of Panasonic D54

7.4V

Chargers for Sony and Panasonic

Universal battery plate design,
Support multi-model battery,
Do not need to change the Charger's plate.



Chargers for Sony and Panasonic Batteries

These chargers will work with our own batteries for professional camcorders as well as the ones from different brands. Some can be used for different battery types. It is described in the short description of each product which types are compatible. As all these chargers don't have a fan built-in, you can use them on set without hearing any noise. - The sound guy will thank you for that!

DV BATTERY AND CHARGER



PL-SP20 – 2 Channel Charger

Input: 100~240VAC 47~63Hz
Output: 8.4V / 1.0A (each channel)
Power Draw: 20W
Features: Two channels simultaneous charging
Dimension: 165(L)mm*103(W)mm*61(H)mm
Weight: 540g
Compatibility: Sony and Panasonic batteries



PL-SP40 – 4 Channel Charger

Input: 100~240VAC 47~63Hz
Output: 8.4V / 1.0A (each channel)
Power Draw: 40W
Features: Four channels simultaneous charging
Dimension: 223(L)mm*103(W)mm*63(H)mm
Weight: 780g
Compatibility: Sony and Panasonic batteries



PL-6000SL - Mono Charger for NP-F Batteries

Input: 100~240VAC 47~63Hz
Output: 8.4V / 1.0A
USB-A Output: 5.0V / 1.0A
Power Draw: 10W
Dimension: 110(L)mm*68(W)mm*42(H)mm
Weight: 134g
Compatibility: Sony NP-F



PL-6000PL - Mono Charger for D54 Batteries

Input: 100~240VAC 47~63Hz
Output: 8.4V / 1.0A
USB-A Output: 5.0V / 1.0A
Power Draw: 10W
Dimension: 110(L)mm*68(W)mm*42(H)mm
Weight: 134g
Compatibility: Panasonic D54



PL-U65 – Dual Channel Charger for BP-U Batteries

Output: 16.8V / 1.5A (each channel)
Power Draw: 60W
USB-A Output: 5.0V / 1.0A
Features: simultaneous charging
Dimension: 165(L)mm*103(W)mm*61(H)mm
Weight: 540g
Compatibility: Sony BP-U



Can charge Sony 970 and Panasonic D54 same time

Plates and Adapters



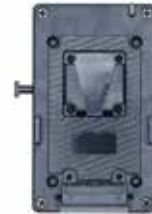
XH-BP-MINI - V-Mount Plate

Features: Metal V-Lock arm, D-Tap Output and 4 Screws for mounting
Dimension: 121(L)*98(W)*22(H)mm
Weight: 100g



XH-BP - V-Mount Plate

Features: Metal V-Lock Arm, D-Tap Output
Dimension: 141(L)*100(W)*22(H)mm
Weight: 160g



XH-BP-N - V-Mount Plate

Features: D-Tap Output
Dimension: 141(L)*96(W)*22(H)mm
Weight: 160g



XH-AN-S - Gold-Mount Converting Plate

Features: Converting Gold-Mount battery to V-Mount
Dimension: 141(L)*87(W)*31(H) mm
Weight: 180g



XH-BP-A - V-Mount to Gold-Mount Adapter

Features: Converting V-Mount Battery to Gold-Mount
Dimension: 140(L)*100(W)*41(H)mm
Weight: 220g



XH-AN - Gold-Mount Plate

Features: Gold-Mount Plate
Dimension: 116(L)*84(W)*12(H)mm
Weight: 140g



XH-2AN-A - Double Gold-Mount to Gold-Mount

Features: Double capacity with 2 batteries discharging simultaneously
Dimension: 141(L)*81(W)*141(H)mm
Weight: 455g



XH-2BP-S - Double V-Mount to V-Mount

Features: Double Capacity with 2 batteries discharge simultaneously
Dimension: 141(L)*81(W)*147.5(H)mm
Weight: 445g



XH-BP-512V - Plate Adapter

USB-A Output: 5.0V/1.0A
D-Tap output: 12.0V/3.0A
Dimension: 141(L)*96(W)*22(H) mm (release lever included)
Weight: 165g

V-MOUNT /GOLD-MOUNT



FX-2BP-24 - Plate Adapter

Features: 22V-33.6V Output from 2 x 14.8V Batteries
 Dimension: 206(L)*134.5(W)*45.5(H)mm
 Weight: 910g



FX-2BP-KC - Plate Adapter

Features: Two batteries discharge after one another
 Dimension: 206(L)*134.5(W)*45.5(H)mm
 Weight: 956g



FX-BP-K - Single Plate Adapter

Features: Standard DC Output (B01-DCH3)
 Dimension: 141(L)*150(W)*50(H)mm
 Weight: 634g



XH-BP-L02 - V-Mount Plate for Lighting Stand

Features: for mounting the battery on a lighting stand
 Dimension: 141(L)*104(W)*80(H) mm
 Weight: 338g



FX-BP-R19D - Arri Alexa LF camera Plate

Features: For 19mm rods
 input:14.8V(battery),output:14.8V
 input:26V(battery),output:26V
 D-Tap output: 12V/6A(Max)
 Dimension: 202(L)mm*156(W)mm*28.5(H)mm
 Weight: 437g



Get 24V from 14.8V battery
 FX-2BP-24



FX-BP-AR60 - Plate for ARRI Skypanel S-60

Features: Get 24V from 2*14.8V batteries for Skypanel
 Dimension: 319(L)*109(W)*65(H)mm
 Weight: 620g



CABLE





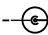







Cables and Accessories



Cable

A lot of different power cables are available. From D-Tap to XLR, PowerCon and so on. Features of the different cables are described within the listed products or on our website.

Interpretation of Symbols:

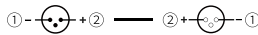
-  4-Pin XLR MALE
-  4-Pin XLR FE-MALE
-  2-Pin D-Tap MALE
-  NEUTRIK Power-Con
-  DC PLUG 2.1 / 2.5mm
-  3-Pin XLR MALE
-  3-Pin XLR FE-MALE
-  2-Pin D-Tap FEMALE
-  CHIGORI Plug
-  CHIGORI Plug
-  Ecomate 4pin
-  Jnicon plug

Cables

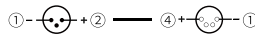
Cables for SKY THREE for Arri Orbiter/ Creamsource Vortex8/Lightstar LMAT series



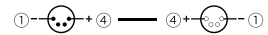
DC-48AR – Skypower 48V DC Cable XLR to XLR
 Details: 3-Pin XLR Male to 3-Pin XLR Female
 Features: power equipment from 48V Skypower with 3-Pin XLR for Arri Skypanel S30, S60, S120 etc.
 Current: 15A(Max)
 Length: 250cm
 Weight: 380g



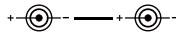
DC-3M-30H – Skypower 24V DC Cable XLR to XLR
 Details: 3-Pin XLR Male to 4-Pin XLR Female
 Features: power equipment from 24V Skypower with 4-Pin XLR
 Current: 15A(Max)
 Length: 250cm
 Weight: 380g



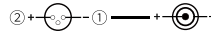
DC-30H – Skypower 24V DC Cable XLR to XLR
 Details: 4-Pin XLR Male to 4-Pin XLR Female
 Features: power equipment from 24V Skypower with 4-Pin XLR
 Current: 15A(Max)
 Length: 250cm
 Weight: 380g



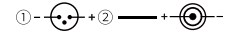
DC-NL2FX48 -Double PowerCon Cable
 Details: Neutrik PowerCon to Neutrik Powercon cable
 Features: for SKY THREE to power Nanlux Dyno650c or Lightstar LMAT serial lights
 Current: 25A(Max)
 Length: 250cm
 Weight: 550g



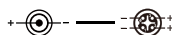
DC-24LRF - XLR to PowerCon Cable
 Details: 3-Pin XLR Female to Neutrik PowerCon
 Features: for SKY THREE to power Arri's Orbiter light
 Current: 15A(Max)
 Length: 250cm
 Weight: 350g



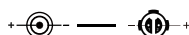
DC-24LR - XLR to PowerCon Cable
 Details: 3-Pin XLR Male to Neutrik PowerCon
 Features: for Skypower to power Dedolight's LEDRAMA light
 Current: 15A(Max)
 Length: 250cm
 Weight: 350g



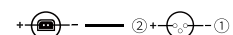
DC-48VORTEX8-SKY THREE 48V DC Cable -Ecomate 4Pin Female to Neutrik PowerCon
 Details: Ecomate 4Pin Female to Neutrik PowerCon
 Features: e.g. for SKY THREE power Cream source Vortex8 series light
 Length: 250cm
 Weight: 290g



DC-48MOSAIC-SKY THREE 48V DC Cable -Jnicon to Neutrik PowerCon
 Details: Jnicon to Neutrik PowerCon
 Features: e.g. for SKY THREE power Aladdin Mosaic
 Length: 250cm
 Weight: 290g



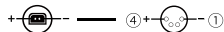
B01-DCH3
 Details: D-Tap to 3-Pin XLR Female
 Features: Applicable for LED lights with DC input connector, get power from battery via D-Tap
 Current: 12A(Max)
 Length: 250cm
 Weight: 166g



CABLE / ACCESSORY



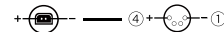
B01-DCH4
 Details: D-Tap to 4-Pin XLR Female
 Features: Applicable for LED lights with 4-Pin DC Input connector, get power from battery via D-Tap
 Current: 12A(Max)
 Length: 250cm
 Weight: 166g



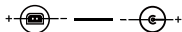
AN-BL45
 Details: D-Tap 2-Pin to D-Tap 2-Pin
 Features: with male D-Tap Sockets in each end
 Current: 5A(Max)
 Length: 45cm
 Weight: 27g



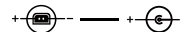
B01-DC - D-Tap to XLR Cable
 Details: D-Tap 2-Pin to 4-Pin XLR Female
 Features: power any equipment with 4-Pin Male input over D-Tap
 Current: 10A(Max)
 Length: 45cm
 Weight: 74g



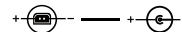
B01-L45Z-2.5 - D-Tap to 2.5 Pin Cable
 Details: D-Tap 2-Pin to 2.5 Pin
 Features: power any equipment with 2.5 pin socket over D-Tap
 Current: 5A(Max)
 Length: 45cm
 Weight: 30g



AN-L45 -2.1 - D-Tap to 2.1 Pin Cable
 Details: D-Tap 2-Pin to 2.1 Pin
 Features: power any equipment with 2.1 pin socket over D-Tap
 Current: 5A(Max)
 Length: 45cm
 Weight: 28g



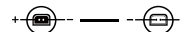
AN-L45 -D-Tap to 2.1 pin cable
 Details: D-Tap to 2.1 pin straight head cable
 Features: power any equipment with 2.1 pin socket over D-Tap
 Current: 5A(Max)
 Length: 45cm
 Weight: 28g



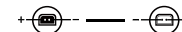
FX-B01-B02
 Details: D-Tap 2-Pin Male to 2-Pin Female
 Features: D-Tap extension cable
 Current: 10A(Max)
 Length: 45cm
 Weight: 32g



FX-B01-B02D2 - D-Tap Multiplier 2
 Details: D-Tap 2-Pin to 2*D-Tap 2-Pin
 Features: power even more equipment over only one D-Tap, can be stacked together, also with FX-B01-B02D4
 Current: 10A(Max)
 Length: 45cm
 Weight: 42g



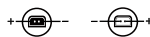
FX-B01-B02D4 - D-Tap Multiplier 4
 Details: D-Tap 2-Pin to 4*D-Tap 2-Pin
 Features: power even more equipment over only one D-Tap, can be stacked together, also with FX-B01-B02D4
 Current: 10A(Max)
 Length: 45cm
 Weight: 60g



FX-VK01/VK02 V-Lock Mount
 FX-VK01: Flame retardant ABS material
 FX-VK02: Blue metal
 Dimension: 34.5(L)mm*31.5(W)*4.8(H)mm
 Weight: 2.2g/5.8g



FX-B01/B02 D-Tap connector
 FX-B01: D-Tap male
 FX-B02: D-Tap female
 Dimensions: 29(L)mm*28(W)mm*11(H)mm
 Weight: 6.5g/6.4g

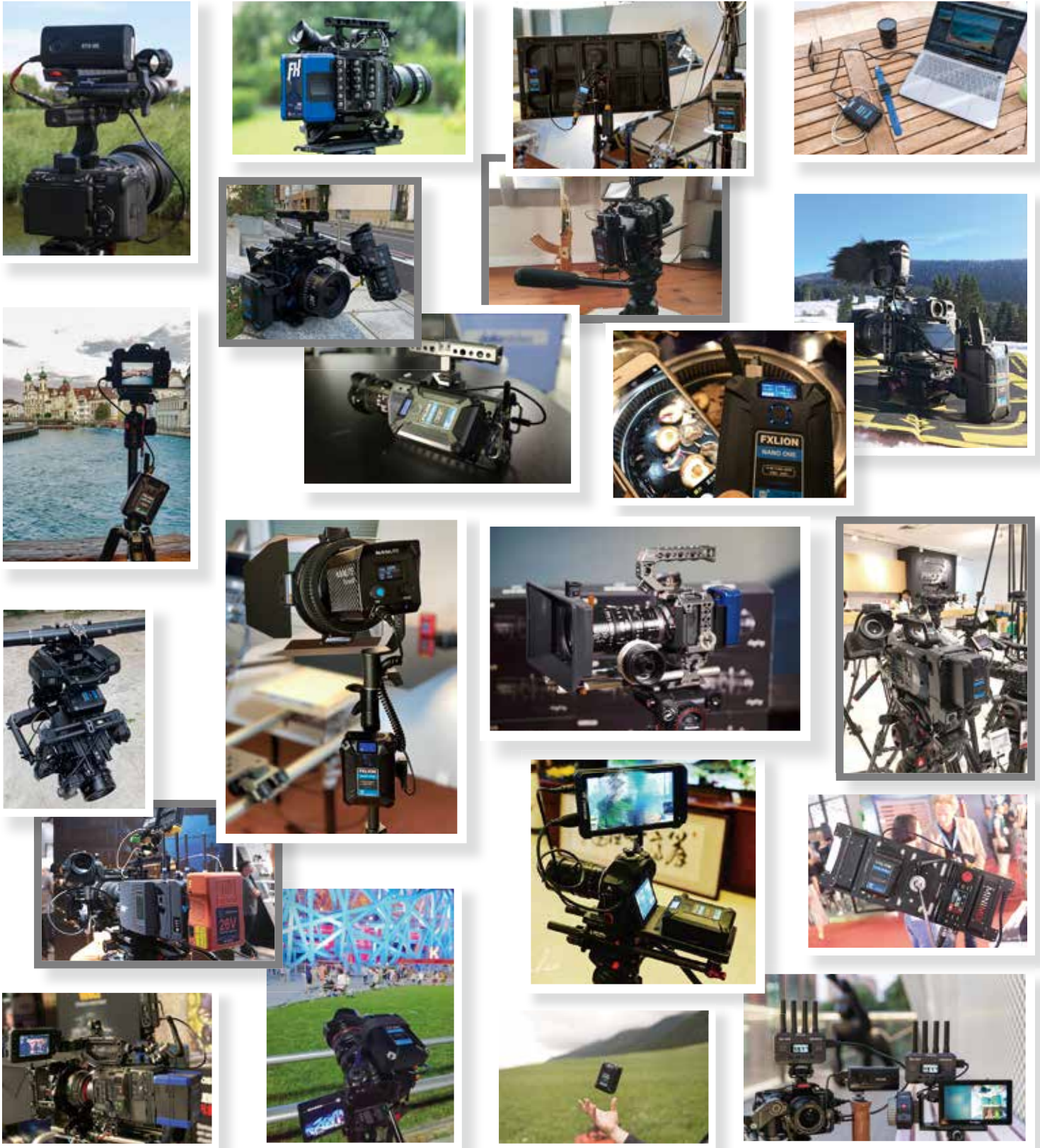


FX-V01-V-Lock Mount Fix Slot
 Details: Metal V-lock arm, flame retardant ABS material fix slot
 Dimension: 78.5(L)mm*42(W)mm*10(H)mm
 Weight: 18g



CHARGING TIME CHART

series	Type	Model	Rated Voltage	Capacity	Power(max.)	Standard 2 Amps Charging Time	Fast 4 Amps Charging Time
NANO	V-mount GOLD-Mount	NANO ONE	14.8V	50Wh/3.4Ah	80W/8.0A	132min(2.2h)	66min(1.1h)
		NANO TWO/NANO TWO A		98Wh/6.8Ah	120W/10.0A	240min(4h)	132min(2.2h)
		NANO THREE/NANO THREE A		150Wh/10.2Ah	120W/10.0A	330min(5.5h)	180min(3h)
B-mount	B-mount	BM-HV300	28.8V	293Wh/10.2Ah	250W/10.0A	330min(5.5h)	180min(3h)
		BM-HV200	28.8V	196Wh/6.8Ah	250W/10.0A	240min(4h)	132min(2.2h)
Bi-Voltage	V-mount	BP-BV300	14.4V	293Wh/20.4Ah	250W/18.0A	660min(11h)	330min(5.5h)
			28.8V	293Wh/10.2Ah	250W/10.0A	x	x
		BP-BV200	14.4V	196Wh/13.6Ah	250W/10.0A	426min(7.1h)	240min(4h)
			28.8V	196Wh/6.8Ah	250W/10.0A	x	x
High POWER SQUARE	V-mount GOLD-Mount	BP-M160/AN-M160	14.8V	159Wh/10.8Ah	180W/15.0A	348min(5.8h)	192min(3.2h)
		BP-M210/AN-M210		205Wh/13.8Ah	180W/15.0A	426min(7.1h)	240min(4h)
		BP-M300/AN-M300		300Wh/20.4Ah	220W/18.0A	660min(11h)	330min(5.5h)
SQUARE	V-mount	BP-M98	14.8V	98Wh/6.6Ah	80W/8.0A	240min(4h)	132min(2.2h)
		BP-M150		148Wh/10Ah	120W/10.0A	330min(5.5h)	180min(3h)
		BP-M200		198Wh/13.4Ah	150W/12.0A	426min(7.1h)	240min(4h)
HIGH POWER	V-mount GOLD-Mount	FX-265SH/FX-265AH	14.8V	265Wh/18.0Ah	180W/15.0A	570min(9.5h)	300min(5h)
		FX-300SH/FX-300AH		300Wh/20.4Ah	180W/15.0A	660min(11h)	330min(5.5h)
COOL BLUE	V-mount GOLD-mount	BP-100SL/AN-100AL	14.8V	100Wh/6.6Ah	100W/8.0A	240min(4h)	132min(2.2h)
		BP-130SL/AN-130AL		130Wh/9.0Ah	100W/8.0A	300min(5h)	180min(3h)
		BP-160SL/AN-160AL		160Wh/10.5Ah	120W/10.0A	330min(5.5h)	180min(3h)
		BP-190SL/AN-190AL		190Wh/13Ah	150W/12.0A	420min(7h)	228min(3.8h)
		BP-250SL/AN-250AL		250Wh/16.75Ah	150W/12.0A	540min(9h)	282min(4.7h)
COOL BLACK	V-mount GOLD-mount	BP-100S/AN-100A	14.8V	100Wh/6.6Ah	100W/8.0A	240min(4h)	132min(2.2h)
		BP-130S/AN-130A		130Wh/9.0Ah	100W/8.0A	300min(5h)	180min(3h)
		BP-160S/AN-160A		160Wh/10.5Ah	120W/10.0A	330min(5.5h)	180min(3h)
		BP-190S/AN-190A		190Wh/13Ah	150W/12.0A	420min(7h)	228min(3.8h)
		BP-250S/AN-250A		250Wh/16.75Ah	150W/12.0A	540min(9h)	282min(4.7h)
26V	V-mount GOLD-mount	BP-7S230/AN-7S230	25.9V	230Wh/9.0Ah	300W/15.0A	300min(5h)	180min(3h)
		BP-7S270/AN-7S270		270Wh/10.5Ah	300W/15.0A	330min(5.5h)	180min(3h)
series	Type	Model	Rated Voltage	Capacity	Power(max.)	3Amps Charging Time	6Amps Charging Time
Brick Battery	V-mount	Brick600	14.4V	559Wh/38.8Ah	400W/30.0A	8100min(13.5h)	420min(7h)
		Brick500	26V	489Wh/19.4Ah	500W/20.0A	420min(7h)	210min(3.5h)



Thanks to the above users for sharing the application, the copyright of the image belongs to them.

FxLion Electronic Co., Ltd.

www.fxlion.net
info@fxlion.net

FxLion2023

All products based on actual objects, and subject to change without prior notice.



FxLion



fxlionbattery



FxLion battery



download



Go for website