



Output exactly on CUE

Output time and height adjustable

Level indicator via RDM

made in Germany

The **OctaJet** is a new, innovative device that can replace conventional CO₂ jets. By using a fog fluid that dissolves extremely quickly, the use of CO₂ is completely eliminated. This saves both costs and unnecessary organization and logistics.

The **OctaJet** can be used/installed in any direction (vertically upwards, upside down, tilted sideways, 45°).

Thus, the **OctaJet** is the perfect device for large events, concerts, amusement parks, etc. Wherever surprising effects are to be achieved, the **OctaJet** is in the right place.

Features

• Exact setting of the output time

The time for the jet shot (Shot time) can be set from 100 milliseconds to 2 seconds (in 100 millisecond increments). This allows an identical time to be set for multiple units to better synchronize short shots. If the time is set to off, the fog duration can be freely determined via DMX.

• Setting of the output height

The output height of the **OctaJet** is determined by means of pressure. The output height can be set in four levels. The selection of the pressure level (low, medium, high, max) determines the height of the jet shot.

• Touchscreen

The large touchscreen with simple menu navigation allows the desired settings to be made quickly and intuitively.

• New control options

In addition to control via DMX 512, control via Ethernet (Artnet and sACN) is also possible.

Manual operation is also possible. Here, the time for the jet shot is set directly on the device. The fogging process is started by briefly pressing the start button.

• RDM

Various information can be read via RDM. The built-in sensors for preheat, energy, heating temperature, pressure, tank level and jet time can also be read out via RDM.

• Internal 2L tank

The integrated 2L tank has several sensors that indicate the level of the tank in four steps.

• Internal Operating hours counter

Records the running time of the pump, heating element and device.

• Connector for external tank

If the **OctaJet** is installed in the truss, an external tank can be connected.

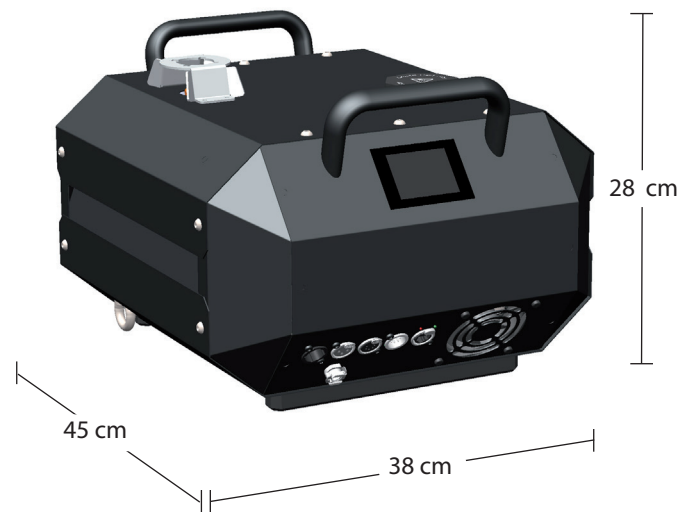
Fluid

The **OctaJet** achieves optimal results with the Jet-Fluid.

Specifications

Procedure	Vaporizing fog generator
Power requirement	3200 Watt
Voltage	200 - 250V, 50/60Hz
Heat-up time	approx. 15 min.
Fluid consumption at max. output	10 ml/sec.
Fluid tank capacity of the internal fluid tank	2 Liter
Fog output	adjustable (100 millise. to 2 sec.)
Output height	Pressure adjustable in 4 steps
Control	Manual DMX 512 Ethernet (ArtNet, sACN)
Temperature control	Microprocessor controlled
Overheating protection	Heater block/Thermostat Pump/Thermal switch
Dimensions (L x W x H)	45 x 38 x 28 cm
Weight incl. fluid	28.5 kg

Dimensions



Advantages

- Can replace conventional CO₂ jets
- Up to 16 bar internal fluid pressure (self-contained)
- Can be used in any direction (upside down, sideways, 45°)
- Closed system with 2L internal tank
- Control via sACN, ArtNet, DMX
- RDM
- Output exactly on CUE
- Liquid level detection in 4 steps (also via RDM)
- Integrated operating hours counter for pump, heating element, unit hours
- Connector for external tank
- Made in Germany

Accessories (option)

- Double case with accessories and fluid compartment for transporting two OctaJets
- Hanging set incl. two Omega hangers with camlock fasteners

Service

Based on the strong partnership with the German manufacturer, Look Solutions is able to provide a quick and easy service which guarantees the high quality of all products.