



Cine 30

SKU: 3007

- Versatile fluid head in the Sachtler Cine Series
- Supports camera setups from 3 – 32 kg (7 - 71 lb)
- SpeedBalance: 18 steps with boost button
- 7 steps of pan and tilt drag
- Sideload platform
- Front pan bar rosette



PRODUCT DESCRIPTION

The Sachtler Cine 30 is the reliable and flexible solution for daily Cine use. Its Sideload platform allows for simple and secure mounting of heavily accessorised camera setups, ensuring safety without compromising efficiency. With a payload range that spans from 3 kg to 32 kg (7 to 71 lb), the Cine 30 offers optimal versatility for diverse shooting scenarios.

SpeedBalance technology with 18 counterbalance steps ensures your camera is quickly balanced and consistently supported at any angle. The frictionless fluid drag with seven levels of drag guarantees smooth and seamless pans, and a rosette allows the use of a front pan bar to deliver extra control.

Crafted with precision engineering and robust materials, the lightweight Cine 30 is built to withstand the rigours of Cine production. Customise your camera position with an ARRI compatible camera plate and front box mounting points. Take your daily set life to the next level with a fluid head that seamlessly combines reliability and adaptability.

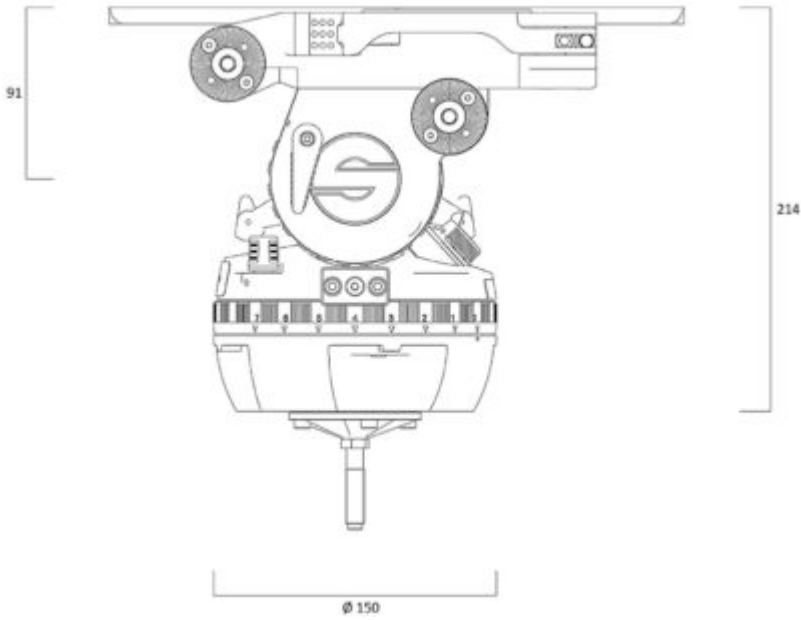
TECHNICAL SPECIFICATIONS

Range	Cine
Bowl Size	150 mm
Payload	3 kg to 32 kg 6.6 lb to 70.5 lb
Counterbalance	18 steps + Boost Button
Drag	7 + 0 drag settings
Weight	6.7 kg 14.8 lb
Pan Bar Count	1, telescopic
Sliding Range	15 cm 5.9 in
Tilt Range	90° to -75°
Temperature Range	-40 °C to 60 °C -40 °F to 140 °F
Level Bubble	Yes, illuminated
Adaptor Viewfinder Extension	Included Adaptor

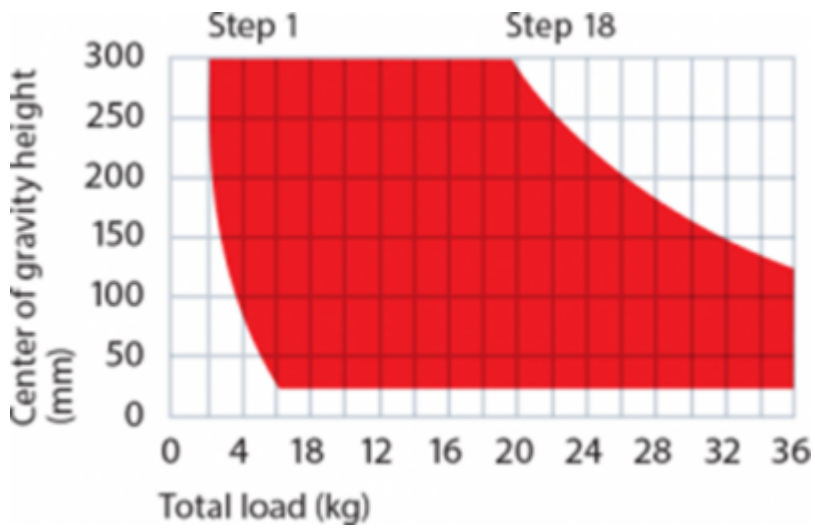
IN THE BOX

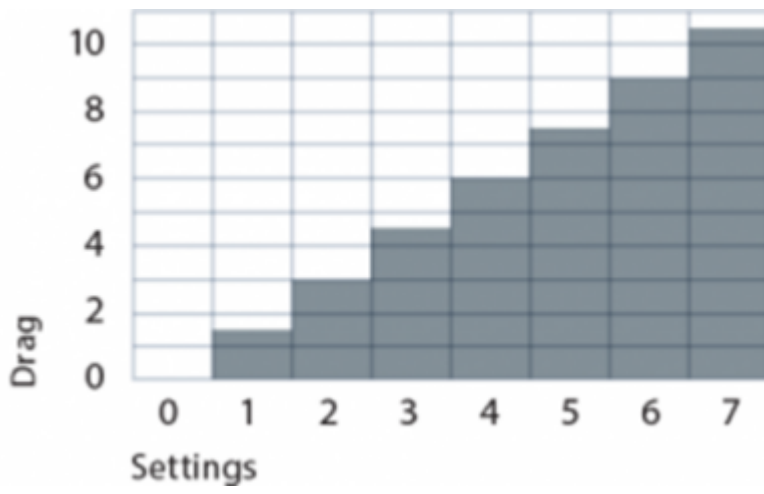
Cine 30 fluid head including 1 telescopic pan bar HD, right (3370)

DIAGRAMS



Half ball with integrated flat base





YOU MAY ALSO LIKE...



[Frontbox Adaptor](#)



[Case 30](#)



[Pan bar HD left
\(telescopic\)](#)



[Front pan bar HD](#)