

Brilliant Imaging.

Image Spot Mini is an excellent gobo projector for use inside museums, retail stores, themed environments and hospitality venues. Take advantage of the fixture's ultra-compact form factor and highly efficient optics to project gobos up to 26 ft. (8m) away!

Featuring a single, brilliant LED, the Image Spot Mini LED gobo projector delivers up to 1,050 lumens of light. Image Spot Mini is IP65-rated, enabling it to be used indoors and outdoors, and it's available in 3000K warm white, 5500K cool white, and track-mounted models.



KEY FEATURES

- A single, high-output LED combined with the available 11°, 17° and 25° Lens Optics provide superior field uniformity
- IP65 rating allows indoor or outdoor use
- Accepts Rosco Gobos and Permacolor Dichroic Glass Color Filters sized specifically for the Image Spot Mini
- On board dimming control
- Available control options include Non-Dim, 0-10V, Push to Dim, DALI, or DMX512, providing flicker-free dimming throughout the range: 100% ~ 0%
- Passive cooling for completely silent operation
- Standard Color options: White, Black

SPECIFICATIONS

Luminaire

Input Voltage:	14VDC, 1.0A	Weight:	2.2 lbs (1.0 kg)
Power Input:	14 W	Operating Temp.:	-13° F to 113° F (-25° C to 45° C)
Color Temperature Options:	5500K or 3000K	IP Rating:	IP65
Luminous Flux:	5500K Model: 400 lumens 3000K Model: 300 lumens	Humidity:	0 - 95% non-condensing
CRI:	5500K Model: 75+ 3000K Model: 98+	Housing:	Anodized Aluminum Extrusion
Lumen Maintenance:	90,000 hours at 50°C (LM80)	Approvals:	ETL / UL Standards #2108:2015 cETL / CSA C22.2#250.0:2018 Ed.4 CE
Power/Data Connection:	6 ft. (2 m) Insulated Cable/Gland (IP65), unterminated (connector not included)		
Dimensions:	5.17 in x 3.5 in x 4.27 in (131.2 mm x 89 mm x 108.55 mm) including yoke		



Image Spot Mini, 0-10V/PWM/Push Dim 36W

Power Input:	14.7W, 100~277 VAC	Power Factor:	>0.95/115Vac, >0.9/230Vac, 0.85/277Vac (full load)
Output:	1050mA	Efficiency:	>88%
Dimming:	0-10V, Push Dim	IP Rating:	IP44
Dimming Range:	0~100% (LED start at 0.1% possible)	Class:	2

Compliant with Safety Extra Low Voltage (SELV) standard.

Image Spot Mini DMX 512/RDM Driver 36W

Power Input:	36W, 100~277 VAC	Power Factor:	>0.95/115Vac, >0.9/230Vac, >0.85/277Vac
Output:	10~54Vdc, 200~1200mA	Efficiency:	>88%
Dimming Interface:	DMX512/RDM, One Channel	IP Rating:	IP44
Dimming Range:	0~100% (LED start at 0.1% possible)	Class:	2

Compliant with Safety Extra Low Voltage (SELV) standard.

Image Spot Mini DALI Driver 36W

Power Input:	36W, 100~277 VAC	Power Factor:	>0.95/115Vac, >0.9/230Vac, >0.85/277Vac
Output: Dimming	10~54Vdc, 200~1200mA	Efficiency:	>88%
Interface: Dimming	DALI (bus standard: IEC62386-101,102,207)	IP Rating:	IP44
Range:	0~100% (LED start at 0.1% possible)	Class:	2

Compliant with Safety Extra Low Voltage (SELV) standard.

Image Spot® Mini Projector	
Item Code	Description
296200030651	Image Spot Mini 3000K - IP65 - w/o Lens - Black
296200030652	Image Spot Mini 3000K - IP65 - w/o Lens - White
296200055651	Image Spot Mini 5500K - IP65 - w/o Lens - Black
296200055652	Image Spot Mini 5500K - IP65 - w/o Lens - White
2962010T3003	Image Spot Mini 3000K - Track DMX - Black - No Lens
2962010T3004	Image Spot Mini 3000K - Track DMX - White - No Lens
2962010T5501	Image Spot Mini 5500K - Track 0-10V/Triac - Black - No Lens
2962010T5502	Image Spot Mini 5500K - Track 0-10V/Triac - White - No Lens
2962010T5503	Image Spot Mini 5500K - Track DMX - Black - No Lens
2962010T5504	Image Spot Mini 5500K - Track DMX - White - No Lens

Image Spot® Mini Projector Lenses	
Item Code	Description
296220000111	Image Spot Mini Narrow Angle Lens Optic/11° - Black
296220000171	Image Spot Mini Medium Angle Lens Optic/17° - Black
296220000251	Image Spot Mini Wide Angle Lens Optic/25° - Black
296220000112	Image Spot Mini Narrow Angle Lens Optic/11° - Silver
296220000172	Image Spot Mini Medium Angle Lens Optic/17° - Silver
296220000252	Image Spot Mini Wide Angle Lens Optic/25° - Silver

Image Spot® Mini Drivers	
Item Code	Description
296210036010	36W /1050mA CC 0-10V Dimmable Driver
296210000DMX	36W / 1050MA cc DMX-RDM Driver,One Channel
29621000DALI	36W /1050mA CC DALI Dimmable Driver
296210000006	Driver Enclosure Black

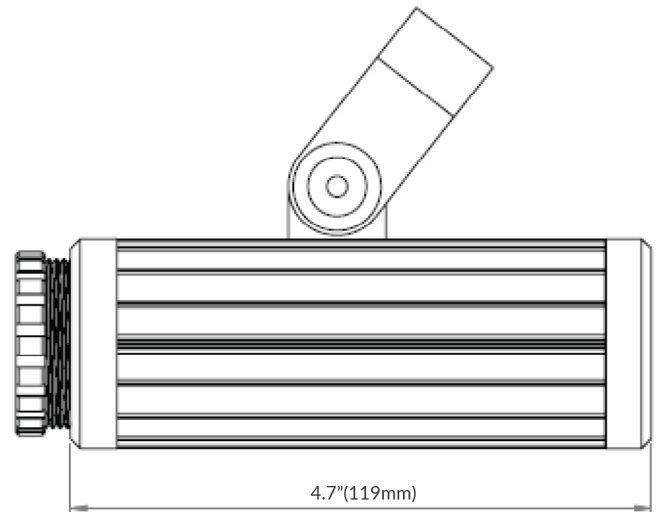
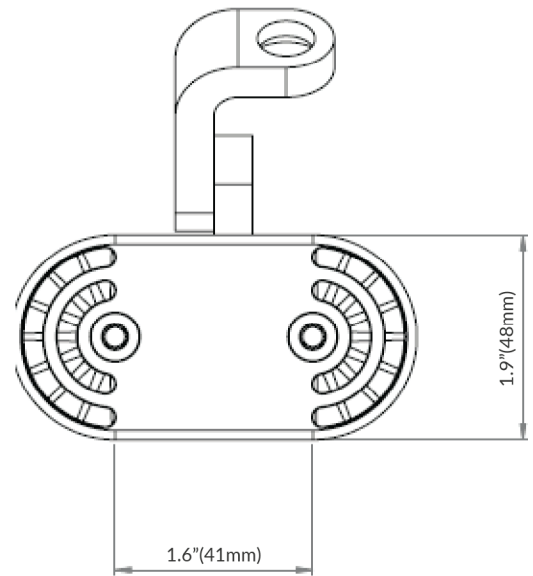
Image Spot® Mini Accessories	
Item Code	Description
296220000020	Image Spot Mini Iris* - Black
296220000021	Image Spot Mini Iris* - White
296220000010	Image Spot Mini Framing Shutter Accessory - Black
296220000011	Image Spot Mini Framing Shutter Accessory - White
296220000022	Image Spot Mini Cable Cover - Black
296220000023	Image Spot Mini Cable Cover - White

*Iris not compatible with gobo

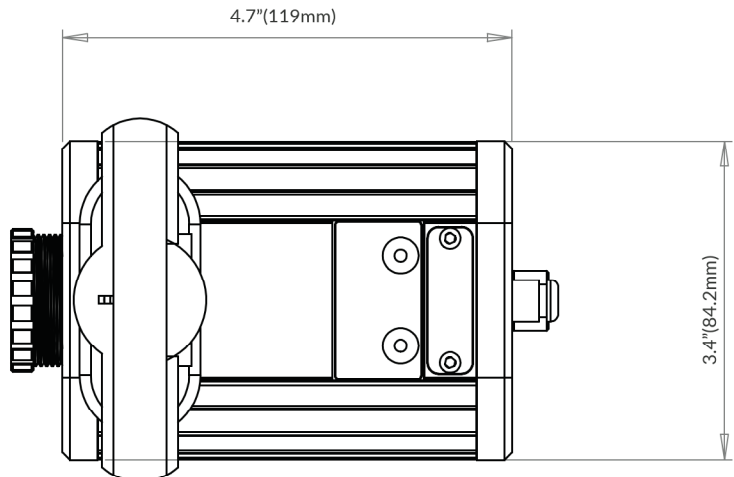
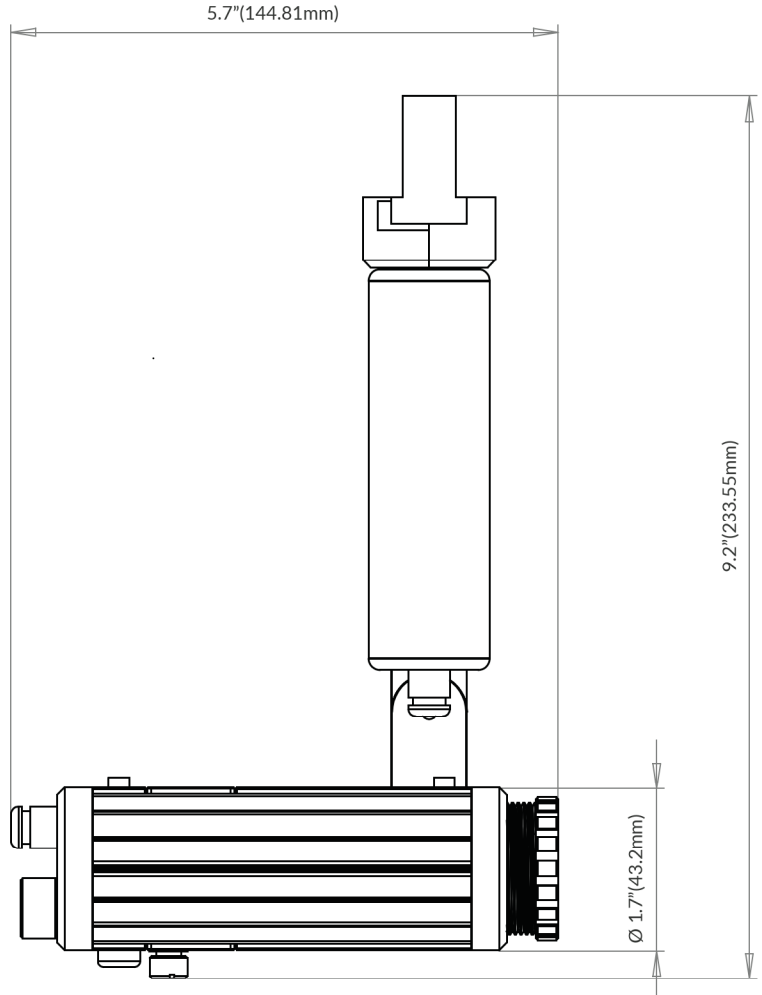
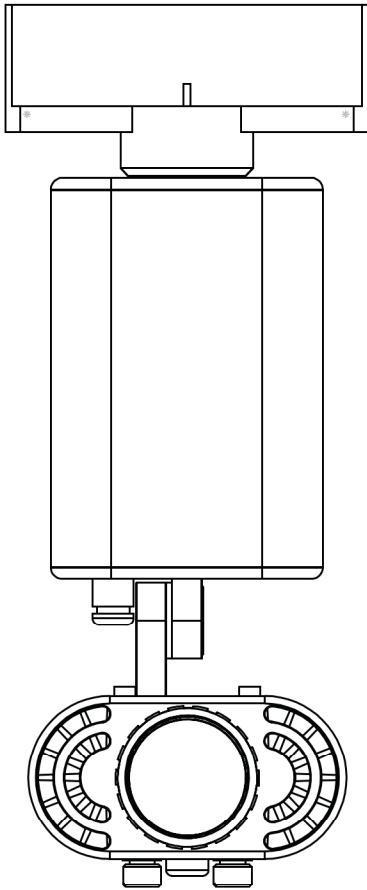
Image Spot® Mini Gobos (includes bezel to fit inside gobo cassette)	
Item Code	Description
<i>Standard Gobos</i>	
XXXXX-MINI	Image Spot Mini Standard Gobo
	XXXXX = The five digit standard gobo number
<i>Custom Gobos</i>	
25072101MINI	Image Spot Mini Custom Steel Gobo
260CUSBWMINI	Image Spot Mini Custom B&W Glass Gobo
260CUS1CMINI	Image Spot Mini Custom One-Color Glass Gobo
260CUS2CMINI	Image Spot Mini Custom Two-Color Glass Gobo
260CUS3CMINI	Image Spot Mini Custom Three-Color Glass Gobo
260CUSMCMINI	Image Spot Mini Custom Multi-Color Glass Gobo

Image Spot® Mini Permacolor™ Dichroic Filters (includes bezel to fit inside gobo cassette)	
Item Code	Description
1203-XXXX-MINI	Image Spot Mini Permacolor Dichroic Glass Filter
	XXXX = The four-digit color number

Standard Mount Diagrams



Track Mount Diagrams



PHOTOMETRIC DATA FOR 3000K 11°

Mounting Height		Cone of Light Tabulation		LUX	Footcandles at Nadir	Diameter	
Feet	Meters					Feet	Meters
4.00	1.2			5608	521	0.654	.2
6.00	1.8			2497	232	0.981	.3
8.00	2.4			1399	130	1.31	.4
10.0	3.0			897	83.4	1.64	.5
12.0	3.6			623	57.9	1.96	.6
14.0	4.2			457	42.5	2.29	.7
16.0	4.8			350	32.6	2.62	.8

PHOTOMETRIC DATA FOR 5500K 11°

Mounting Height		Cone of Light Tabulation		LUX	Footcandles at Nadir	Diameter	
Feet	Meters					Feet	Meters
4.00	1.2			9805	911	0.670	..2
6.00	1.8			4359	405	1.01	.3
8.00	2.4			2454	228	1.34	.4
10.0	3.0			1571	146	1.68	.5
12.0	3.6			1087	101	2.01	.6
14.0	4.2			799	74.3	2.35	.7
16.0	4.8			612	56.9	2.68	.8

PHOTOMETRIC DATA FOR 3000K 17°

Mounting Height		Cone of Light Tabulation		LUX	Footcandles at Nadir	Diameter	
Feet	Meters					Feet	Meters
4.00	1.2			2884	268	0.834	.2
6.00	1.8			1280	119	1.25	.3
8.00	2.4			720	66.9	1.67	.5
10.0	3.0			460	42.8	2.08	.6
12.0	3.6			319	29.7	2.50	.7
14.0	4.2			234	21.8	2.92	.9
16.0	4.8			179	16.7	3.34	1.0

PHOTOMETRIC DATA FOR 5500K 17°

Mounting Height		Cone of Light Tabulation		LUX	Footcandles at Nadir	Diameter	
Feet	Meters					Feet	Meters
4.00	1.2			5371	499	0.829	.2
6.00	1.8			2389	222	1.24	.3
8.00	2.4			1345	125	1.66	.5
10.0	3.0			858	79.8	2.07	.6
12.0	3.6			596	55.4	2.49	.7
14.0	4.2			438	40.7	2.90	.8
16.0	4.8			335	31.2	3.32	1.0

PHOTOMETRIC DATA FOR 3000K 25°

Mounting Height		Cone of Light Tabulation		LUX	Footcandles at Nadir	Diameter	
Feet	Meters					Feet	Meters
4.00	1.2			2109	196	0.890	.2
6.00	1.8			935	86.9	1.33	.4
8.00	2.4			526	48.9	1.78	.5
10.0	3.0			336	31.3	2.22	.6
12.0	3.6			233	21.7	2.67	.8
14.0	4.2			172	16.0	3.11	.9
16.0	4.8			131	12.2	3.56	1.0

PHOTOMETRIC DATA FOR 5500K 25°

Mounting Height		Cone of Light Tabulation		LUX	Footcandles at Nadir	Diameter	
Feet	Meters					Feet	Meters
4.00	1.2			3713	345	0.875	.2
6.00	1.8			1646	153	1.31	.3
8.00	2.4			926	86.1	1.75	.5
10.0	3.0			593	55.1	2.19	.6
12.0	3.6			412	38.3	2.62	.7
14.0	4.2			302	28.1	3.06	.9
16.0	4.8			231	21.5	3.50	1.0