

# FUZE PROFILE



The **FUZE PROFILE™** is an automated LED framing fixture designed for theater, television and a wide array of other precision lighting applications. The 92 CRI engine utilizes a 5-color homogenized LED array consisting of Red, Green, Blue, Mint, and Amber sources. The carefully tuned LEDs ensure accurate color reproduction while delivering a powerful output of over 10,000 lumens. Virtual color temperature, Magenta / Green adjustment plus CMY emulation provide the designer with immediate access to the impressive LED color array. The FUZE PROFILE is designed for any application where fully automated ellipsoidal fixture with outstanding and impactful color range and quality is required. A rotating gobo wheel, fixed gobo wheel, animation wheel, frost, prism and iris round out its comprehensive feature set in a compact, quiet and lightweight fixture.

## FEATURES

Extended color RGBMA LED Engine, 92 CRI

Rotating and Fixed Gobos plus Animation Wheel

Full Blackout Framing System

Iris, Prism, and Frost

Wide Zoom Range from 7° to 42°



Shown with included Snoot

Specifications subject to change without notice ©Elation Professional 12/01/2022

Elation Professional USA | 6122 S. Eastern Ave. | Los Angeles, CA. 90040  
323-582-3322 | 323-832-9142 fax | www.elationlighting.com | info@elationlighting.com

Elation Professional B.V. | Junostraat 2 | 6468 EW Kerkrade, The Netherlands  
+31 45 546 85 66 | +31 45 546 85 96 fax | www.elationlighting.eu | info@elationlighting.eu

**SPECIFICATIONS**

**SOURCE**

305W 6,500K RGBMA LED Engine  
30,000 Hour Average LED Life\*

\*Test lab conditions. May vary depending on several factors including but not limited to:  
Environmental Conditions, Power/Voltage, Usage Patterns (On-Off Cycling), Control, and Dimming.

**PHOTOMETRIC DATA**

10,100 Total Lumen Output  
CRI 92  
Zoom Range 7° - 42°  
Beam Angle 7.5° - 39.9°  
Field Angle 8.6° - 44.2°

**EFFECTS**

Motorized Zoom  
4 Rotating Full Blackout Framing Blades, +/- 60 Index  
Variable Frost Filter  
4 Facet Prism  
Motorized Iris  
Variable 16-bit Dimming Curve Modes  
High Speed Electronic Shutter and Strobe  
Pan Angle: 540°/630°  
Tilt Angle: 270°

**COLOR**

RGBMA Color Array  
CMY Emulation  
Virtual Color Correction  
Green/Magenta Shift  
Virtual Gel Swatch Book

**GOBOS**

1x 6 Rotating / Indexing Interchangeable Glass Gobos  
1x 7 Fixed Glass Gobo  
Animation Wheel

**CONTROL / CONNECTIONS**

4 DMX Channel Modes (RGBMA 38 / 59) (CMY 36 / 55)  
16-bit Pan, Tilt, and Dimming Control  
DMX Adjustable LED Frequency  
DMX, RDM Protocol Support  
4 Button Touch Control Panel  
Full Color 180° Reversible LCD Menu Display  
16 Bit Resolution Adjustable Movement  
5pin DMX In/Out  
IP65 Locking Power Cable In/Out  
With Wired Digital Communication Network

**SIZE / WEIGHT**

Length: 16.0" (407mm)  
Width: 10.1" (256mm)  
Vertical Height: 27.4" (698mm)  
Weight: 55.1 lbs. (25kg)

**ELECTRICAL / THERMAL**

AC 100-240V - 50/60Hz  
540W Max Power Consumption  
14°F to 113°F (-10°C to 45°C)  
BTU/hr (+/- 10%) 1841

**APPROVALS / RATINGS**

CE | cETLus | IP20

**GOBOS | ANIMATION**

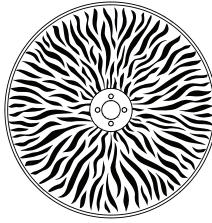
**INTERCHANGEABLE-ROTATING GLASS GOBO WHEEL 1**



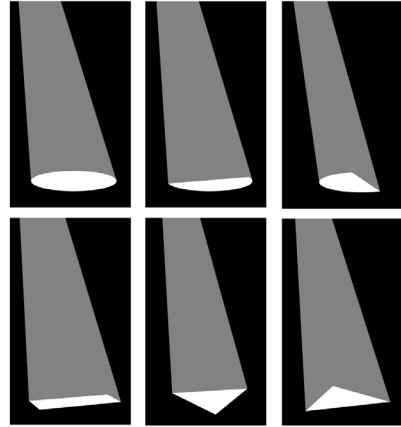
**STATIC-FIXED GLASS GOBO WHEEL 2**



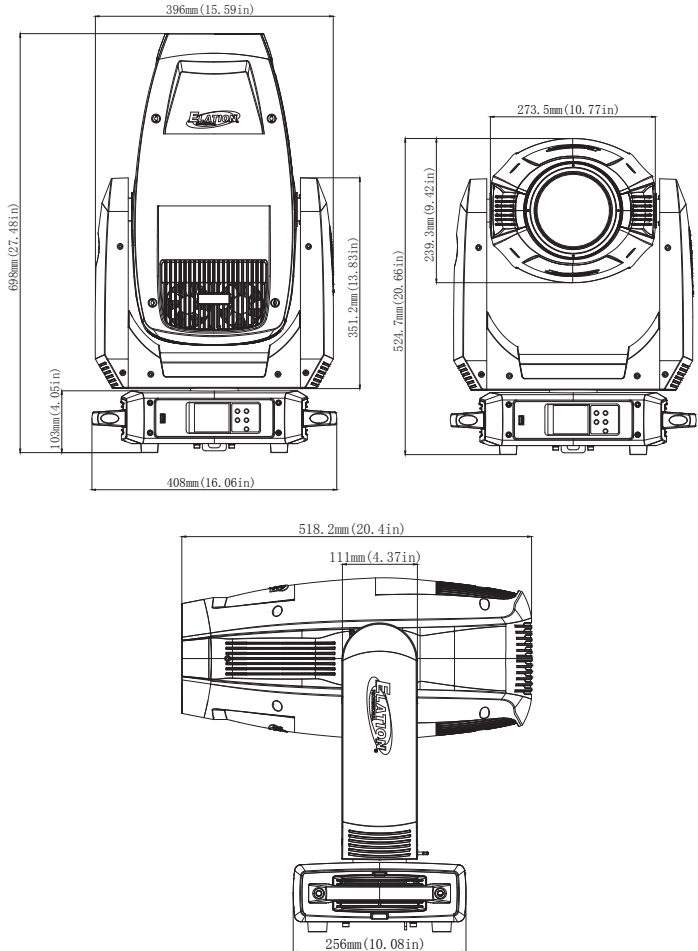
**ANIMATION WHEEL**



**4-BLADE SHUTTER MODULE**



**DIMENSIONAL DRAWINGS**



**ORDERING INFORMATION**

FUZ495	FUZE PROFILE (US SKU)
1237000211	FUZE PROFILE (EU SKU)

Specifications subject to change without notice ©Elation Professional 12/01/2022



Elation Professional USA | 6122 S. Eastern Ave. | Los Angeles, CA. 90040  
323-582-3322 | 323-832-9142 fax | www.elationlighting.com | info@elationlighting.com

Elation Professional B.V. | Junostraat 2 | 6468 EW Kerkrade, The Netherlands  
+31 45 546 85 66 | +31 45 546 85 96 fax | www.elationlighting.eu | info@elationlighting.eu