

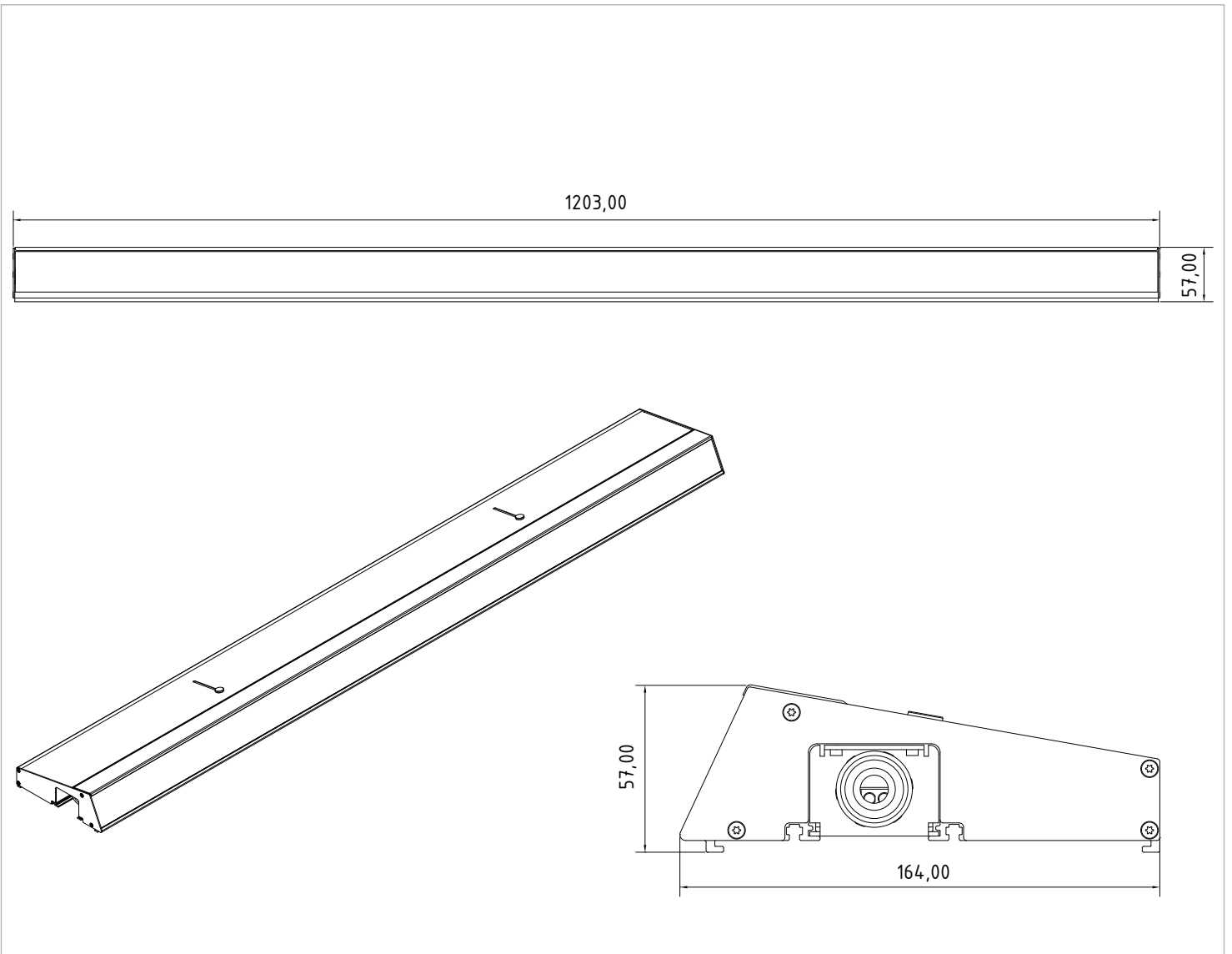
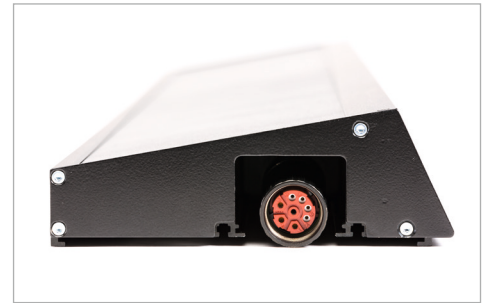
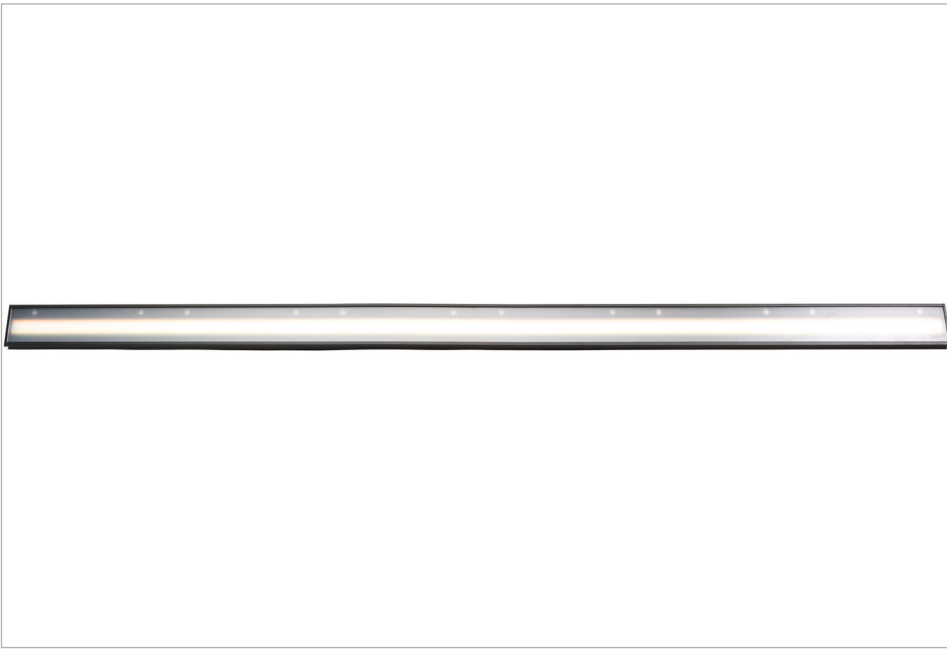
NanoPix Slim FR 1440

The smallest floorlight ramp for the highest demands!



TECHNICAL SPECIFICATION

Voltage input range	100...240 VAC 50/60 Hz
Power Consumption	max. 80 W
8-pin Power/Data multicore connector	✓
Light Source/Color Mixing System	1440 LEDs RGB, WW, CW or custom
Variable Color Temperature	2700–9000 K
Remote + BCD Rotary Switch for Addressing and Settings	✓
Control/Wiring	USITT DMX512/1990v
Control Channels	5 / 6 / 7 / 10 / 11
8/16-bit Resolution	✓
Seperate Control for Intensity & Colors	✓
High Resolution Dimmer from 0–100%	✓
Suitable for HDTV „flicker-free“	✓
up to 25 Hz Strobe frequency	✓
Convection Cooling for silent operation	✓
Aluminium extrusion profile	✓
Weight/Dimension	5,6 kg (without accessories) 1203 × 163 × 57 mm (L × W × H)
Optional Accessories	Floor cover, mounting brackets
Protection Class	IP20
Conformity	CE, EN 61000-3-2, EN 61000-3-3, EN 55015, EN 60529



LDDE
LIGHTING IDEAS

Lighting
Design
Development
Electronics

LDDE Vertriebsgesellschaft m. b. H.
Dreherstrasse 64, 1110 Vienna, Austria
P: +43 1 7671811 0, F: +43 1 7671811 99
E: office@ldde.com, W: www.ldde.com