

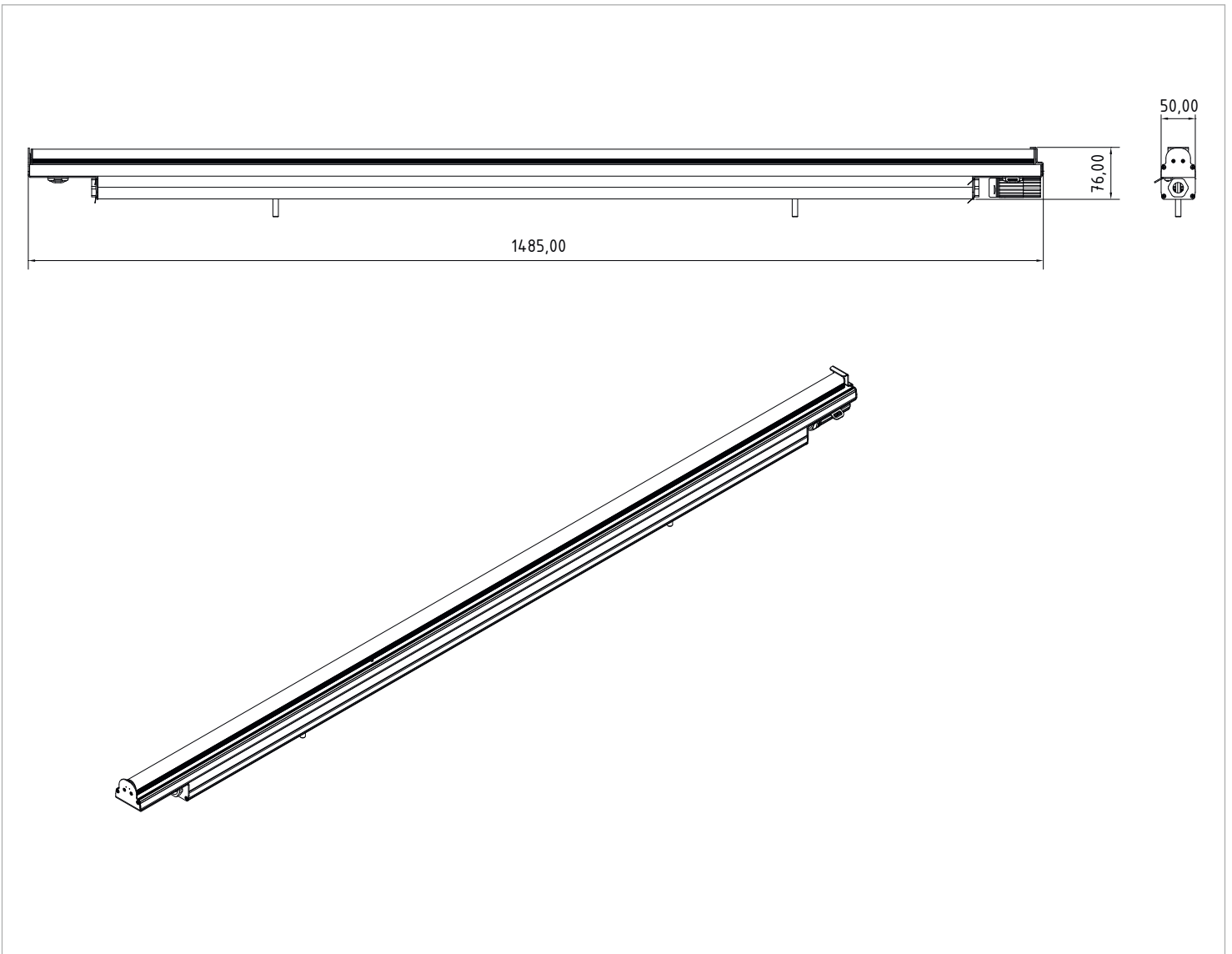
# Spectra T5 MasterLED

Perfect fluorescent replacement with a genuine zero dimming and an incredible reaction speed



## TECHNICAL SPECIFICATION

<b>Voltage Input Range</b>	100...240 VAC   50/60 Hz
<b>Power Consumption</b>	max. 45 W   0,2 A
<b>Light Source – 1 High power LED tube (changeable)</b>	up to 4000 Lumen (depending on the LED tube assembly)
<b>Control</b>	USITT DMX512/1990
<b>8-pin Power/Data multicore connector</b>	✓
<b>Remote + BCD rotary switch for addressing and settings</b>	✓
<b>Suitable for HDTV „flicker-free“</b>	✓
<b>Control Channels</b>	1 / 2 / 3
<b>8/16-bit Resolution</b>	✓
<b>High Resolution Dimmer from 0–100%</b>	✓
<b>3 Dimmer Characteristics</b>	✓
<b>up to 25 Hz Strobe frequency</b>	✓
<b>Convection Cooling for silent operation</b>	✓
<b>Aluminium extrusion profile</b>	✓
<b>Weight/Dimension</b>	2,5 kg   1485 × 76 × 50 mm (L × W × H)
<b>Optional Accessories</b>	Various LED tubes, Floor stands
<b>Protection Class</b>	IP20
<b>Conformity</b>	EN 50589-1, EN 50589-2, EN 55103-1, EN 55103-2 EN 61000-3-2, EN 61000-3-3



**LDDE**  
LIGHTING IDEAS

Lighting  
Design  
Development  
Electronics

LDDE Vertriebsgesellschaft m. b. H.  
Dreherstrasse 64, 1110 Vienna, Austria  
P: +43 1 7671811 0, F: +43 1 7671811 99  
E: office@ldde.com, W: www.ldde.com