

FUZE WASH Z350



350W RGBW LED Wash Fixture with Zoom

DATA SHEET



KEY FEATURES

350W RGBW COB LED Moving Head Wash Luminaire

RGBW Color Mixing

6° to 46° Wide Motorized Zoom Range

Variable Dimming Curves

Multiple Unit Power Linking

RDM (Remote Device Management)

Flicker Free Operation for TV and FILM

The **FUZE WASH Z350** is a single source par moving head luminaire featuring a 350W Quad Color RGBW COB LED, 6° to 46° motorized zoom, pan and tilt, RGBW color mixing, variable dimming curve and strobe effects, DMX and RDM (remote device management) protocol support, DMX and power in/out connections, LCD menu display with 7 button control panel, multiple unit power linking, flicker free operation for TV and FILM, and a multi-voltage universal auto switching power supply (110-240v).



FUZE WASH Z350



350W RGBW LED Wash Fixture with Zoom

SPECIFICATIONS

SOURCE

350W RGBW COB LED

100,000 Hour Average LED Life*

*May vary depending on several factors including but not limited to: Environmental Conditions, Power/Voltage, Usage Patterns (On-Off Cycling), Control, and Dimming.

PHOTOMETRIC DATA

60,280 LUX 5,600 FC @6.6' (2m) (6° Full ON)

3,735 LUX 347 FC @6.6' (2m) (46° Full ON)

COLOR

RGBW

EFFECTS

RGBW Color Mixing

6° to 46° Beam Zoom Range

Electronic Strobe, Dimming and Variable Dimming Curves

64 Color Presets and 14 Unique Color Macros

Pan Angle: 540°/630°

Tilt Angle: 250°

CONTROL / CONNECTIONS

4 DMX Channel Modes (19 Total Channels)

7 Button Control Panel and LCD Menu Display
RDM (Remote Device Management)

3pin/5pin DMX and Locking Power Cable In/Out

With Wired Digital Communication Network

SIZE / WEIGHT

Length: 16.3" (414mm)

Width: 11.6" (294mm)

Vertical Height: 22.7" (578mm)

Center Spacing: 18.9" (480mm)

Weight: 45 lbs. (20.4 kg)

ELECTRICAL / THERMAL

AC 110-240V - 50/60Hz

399W Max Power Consumption

Multiple Unit Power Linking

5°F to 113°F (-15°C to 45°C)

BTU/hr (+/- 10%) 1360.59

APPROVALS / RATINGS

CE | cETLus | IP30



Specifications are subject to change without notice ©Elation Professional 08/25/2023

Elation Professional USA | 6122 S. Eastern Ave. | Los Angeles, CA. 90040
323-582-3322 | 323-832-9142 fax | www.elationlighting.com | info@elationlighting.com

Elation Professional B.V. | Junostraat 2 | 6468 EW Kerkrade, The Netherlands
+31 45 546 85 66 | +31 45 546 85 96 fax | www.elationlighting.eu | info@elationlighting.eu

FUZE WASH Z350



350W RGBW LED Wash Fixture with Zoom

ORDERING INFORMATION

SKU (US)	SKU (EU)	DESCRIPTION
FUZ035	1236100152	Elation Fuze Wash Z350
FW350SNOOT	1237000161	Fuze Wash Z350 Snoot
TRIGGER CLAMP	1741000032	Heavy Duty Wrap Around Style Hook
AC3PDMX5PRO	N/A	5ft (1.5m) 3pin Pro DMX Cable (additional cable lengths available)
AC5PDMX5PRO	N/A	5ft (1.5m) 5pin Pro DMX Cable (additional cable lengths available)
PLC3	N/A	3ft (1m) Locking Power Link Cable
DRC350FUZE	1521000290	Quad Road Case for Fuze Wash Z350

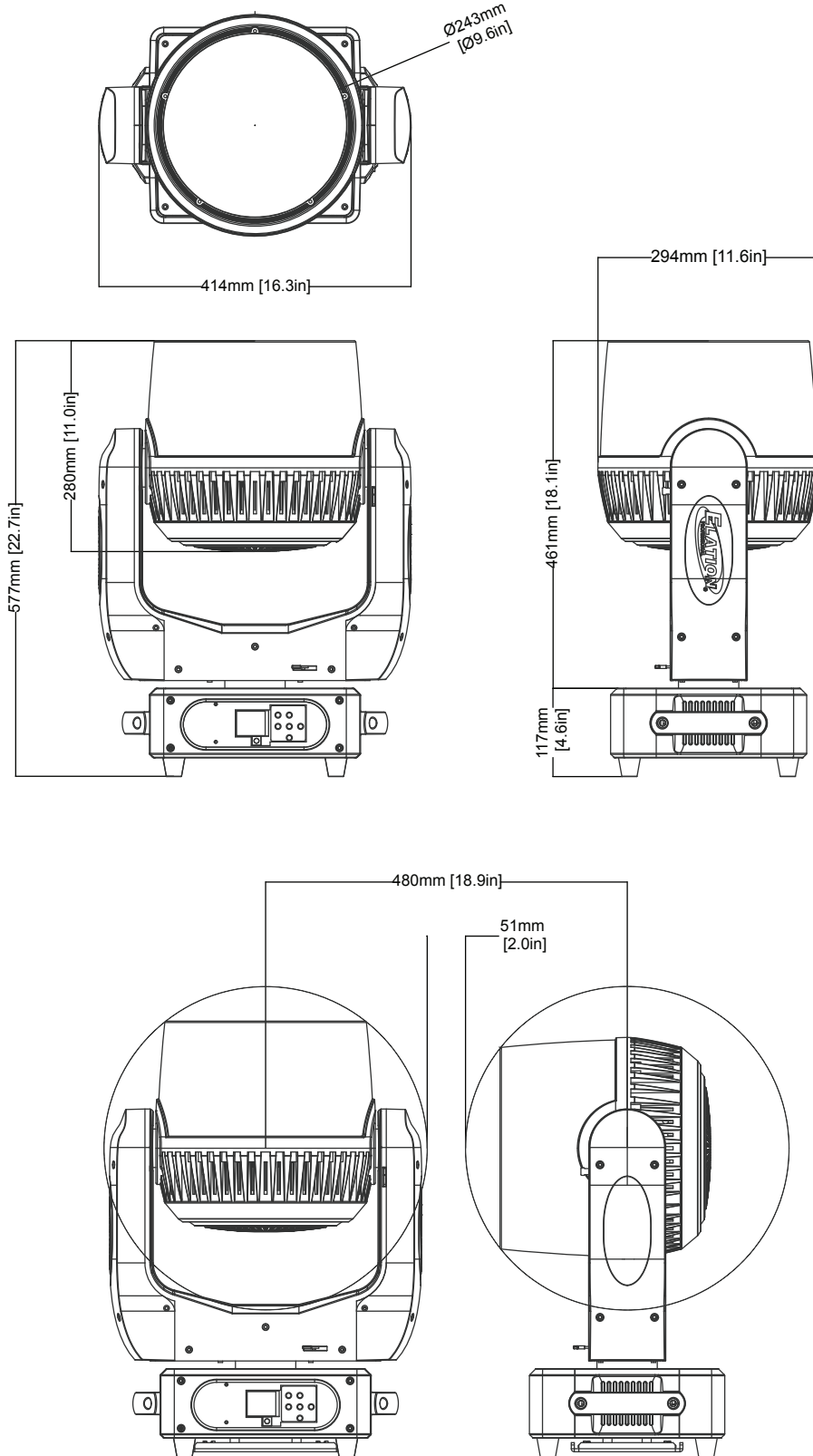


FUZE WASH Z350



350W RGBW LED Wash Fixture with Zoom

UNIT DIMENSIONS - FIXTURE ONLY

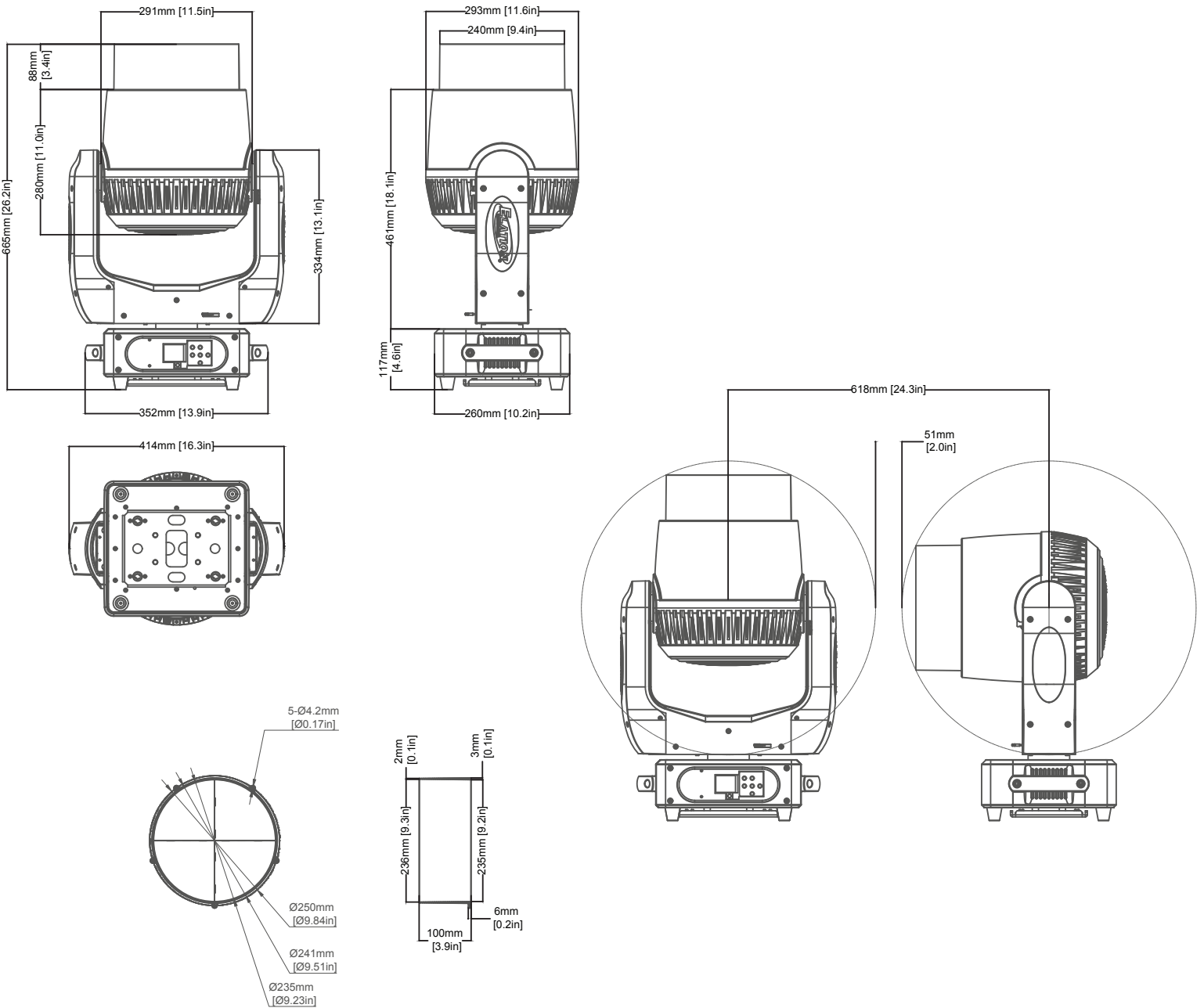


FUZE WASH Z350



350W RGBW LED Wash Fixture with Zoom

UNIT DIMENSIONS - SNOOT



Specifications are subject to change without notice ©Elation Professional 08/25/2023
 Elation Professional USA | 6122 S. Eastern Ave. | Los Angeles, CA. 90040
 323-582-3322 | 323-832-9142 fax | www.elationlighting.com | info@elationlighting.com

Elation Professional B.V. | Junostraat 2 | 6468 EW Kerkrade, The Netherlands
 +31 45 546 85 66 | +31 45 546 85 96 fax | www.elationlighting.eu | info@elationlighting.eu